

# TF Series

## Digital Mixing Console



TF5



TF5 Rear Panel

D-PRE  StageMix 



TF3



TF3 Rear Panel

D-PRE  StageMix 



TF1



TF1 Rear Panel

D-PRE  StageMix 

## A groundbreaking approach to compact live sound.

- TouchFlow Operation™ – smooth, natural control flow
- Intuitive user interface optimized for touch panel operation
- Touch & turn knob offers extra control precision
- 1-knob COMP™ & 1-knob EQ™: One knob to dial in the ideal sound
- GainFinder™ supports precision gain setup
- QuickPro Preset™ provides instant access to pro sound setups
- DCA roll-out enhances group control
- Comprehensive fader bank section
- TF Editor offline editing plus showtime
- TF StageMix™ for wireless mixing control
- Personal monitoring with MonitorMix
- Recallable D-PRE™ microphone preamplifiers
- Powerful processors and effects
- NY64-D expansion slot (64 in/ 64 out) for connection to a Dante network
- Tio1608-D high-performance stagebox solution that's simple to set up

### GENERAL SPECIFICATIONS

Model	TF5	TF3	TF1												
<b>Fader Configuration</b>	32+1 Master	24+1 Master	16+1 Master												
<b>Input Channels</b>	48 (40 mono + 2 stereo + 2 return)	48 (40 mono + 2 stereo + 2 return)	40 (32 mono + 2 stereo + 2 return)												
<b>Mixing Capacity</b>	<table border="0"> <tr> <td>Main Buses</td> <td>3 (Left, Right + Sub)</td> </tr> <tr> <td>Aux Buses</td> <td>8 mono + 6 stereo</td> </tr> <tr> <td>Groups</td> <td>8 DCA Groups</td> </tr> </table>			Main Buses	3 (Left, Right + Sub)	Aux Buses	8 mono + 6 stereo	Groups	8 DCA Groups						
Main Buses	3 (Left, Right + Sub)														
Aux Buses	8 mono + 6 stereo														
Groups	8 DCA Groups														
<b>I/O Connectors</b>	<table border="0"> <tr> <td>Inputs</td> <td>32 mic/line (XLR/TRS combo) + 2 stereo line (RCA pin)</td> <td>24 mic/line (XLR/TRS combo) + 2 stereo line (RCA pin)</td> <td>16 mic/line (XLR/TRS combo) + 2 stereo line (RCA pin)</td> </tr> <tr> <td>Outputs</td> <td>16 (XLR)</td> <td></td> <td></td> </tr> <tr> <td>Expansion Slot</td> <td>1</td> <td></td> <td></td> </tr> </table>			Inputs	32 mic/line (XLR/TRS combo) + 2 stereo line (RCA pin)	24 mic/line (XLR/TRS combo) + 2 stereo line (RCA pin)	16 mic/line (XLR/TRS combo) + 2 stereo line (RCA pin)	Outputs	16 (XLR)			Expansion Slot	1		
Inputs	32 mic/line (XLR/TRS combo) + 2 stereo line (RCA pin)	24 mic/line (XLR/TRS combo) + 2 stereo line (RCA pin)	16 mic/line (XLR/TRS combo) + 2 stereo line (RCA pin)												
Outputs	16 (XLR)														
Expansion Slot	1														
<b>Signal Processors</b>	8 Effects + 10 GEQ														
<b>Recording</b>	<table border="0"> <tr> <td>via Windows/Mac</td> <td>34x34 USB Audio Interface</td> </tr> <tr> <td>via USB Storage Device</td> <td>2-track</td> </tr> </table>			via Windows/Mac	34x34 USB Audio Interface	via USB Storage Device	2-track								
via Windows/Mac	34x34 USB Audio Interface														
via USB Storage Device	2-track														
<b>Sampling Frequency</b>	Internal Clock 48 kHz														
<b>Signal Delays</b>	Less than 2.6 ms, INPUT to OMNI OUT, Fs=48kHz														
<b>Fader</b>	100 mm motorized, Resolution = 10-bit, +10 dB to -138 dB, -∞dB all faders														
<b>Frequency Response</b>	+0.5, -1.5 dB 20 Hz-20 kHz, refer to +4 dBu output @11 kHz, INPUT to OMNI OUT														
<b>Total Harmonic Distortion<sup>2</sup></b>	Less than 0.05% 20 Hz-20kHz @ +4dBu into 600 Ω, INPUT to OMNI OUT, Input Gain = Min.														
<b>Hum &amp; Noise<sup>3</sup></b>	-128 dBu typ., Equivalent Input Noise, Input Gain = Max., -85 dBu, Residual output noise, ST master off														
<b>Dynamic Range</b>	110 dB typ., DA Converter, 107 dB typ., INPUT to Omni OUT, Input Gain = Min.														
<b>Crosstalk@1kHz</b>	-100dB <sup>1</sup> , adjacent INPUT/OMNI OUT channels, Input Gain=Min.														
<b>Dimensions (W x H x D)</b>	866 x 225 x 599 mm	716 x 225 x 599 mm	510 x 225 x 599 mm												
<b>Net Weight</b>	20 kg	17 kg	13.5 kg												
<b>Power Requirements (wattage)</b>	120W	110 W	100 W												
<b>Power Requirements (voltage and hertz)</b>	100-240 V 50/60Hz	100-240 V 50/60Hz	100-240 V 50/60Hz												
<b>Temperature Range</b>	Operating temperature range: 0-40°C / Storage temperature range: -20-60°C														
<b>Including Accessoires</b>	Quick Guide, Power Cord, CUBASE AI download information														
<b>Options</b>	Rack-mount Kid RK5014 (for TF1), Expansion Card, Food Switch (FC5)														

<sup>1</sup>. Crosstalk is measured with a -30dB/octave filter @22 kHz

<sup>2</sup>. Total Harmonic Distortion ist measured with a -18dB/octave filter @80kHz

<sup>3</sup>. Hum & Noise are measured with an A-Weight filter

### OPTIONS

Tio1608-D

I/O Rack

2U



NY64-D

NY Card



RK5014

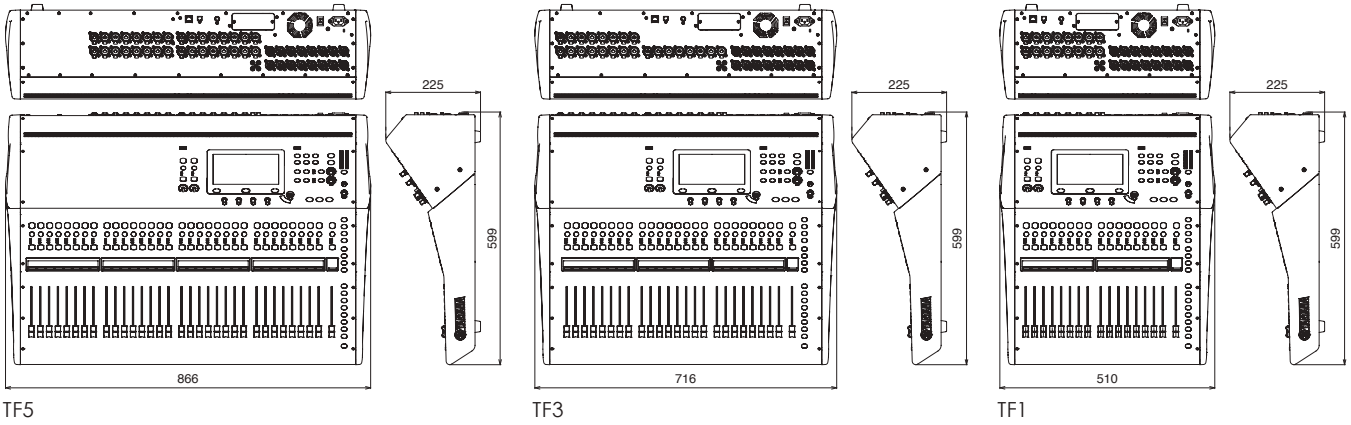
Rack Mount Kit



# TF Series

## DIMENSIONS

unit : mm

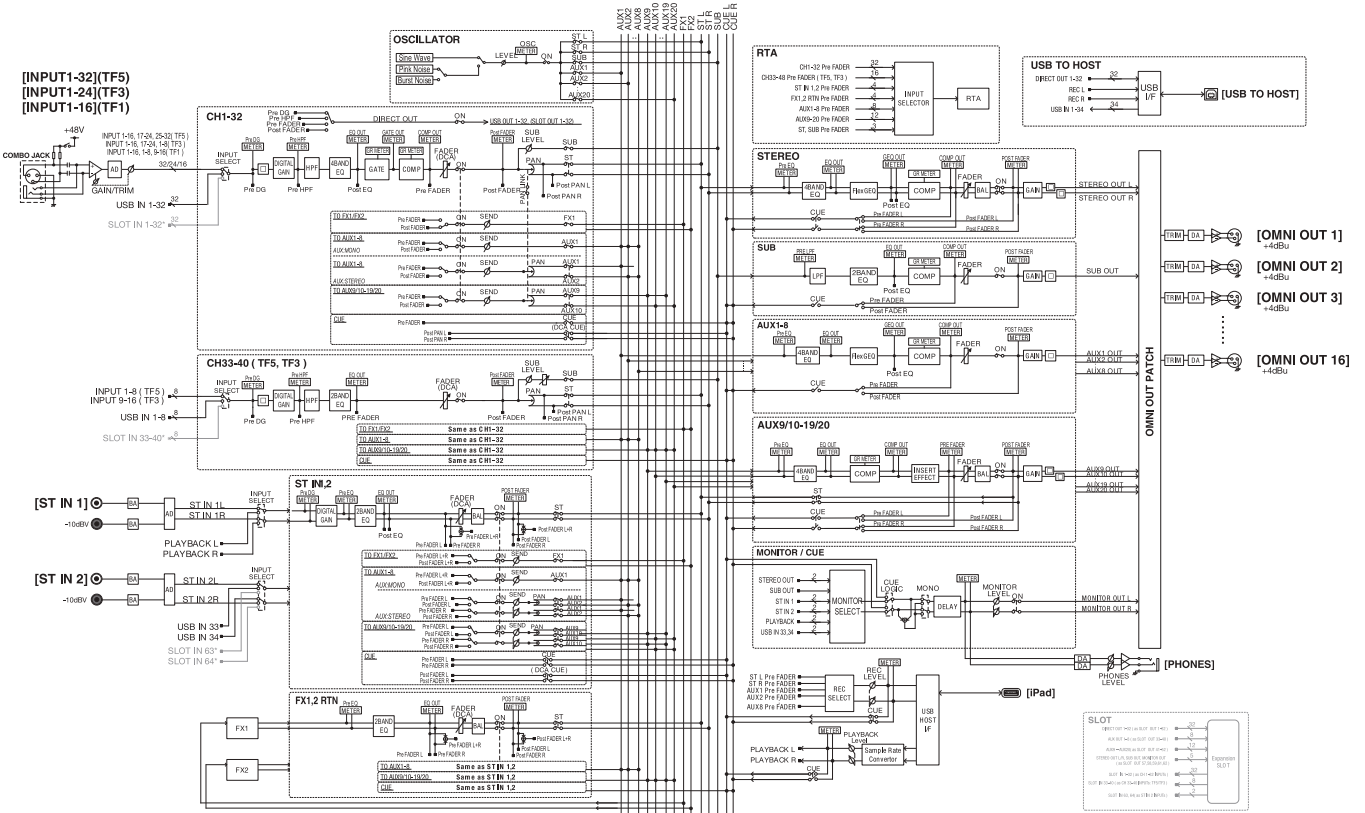


TF5

TF3

TF1

## BLOCK DIAGRAM



\* SLOT will be available with firmware update