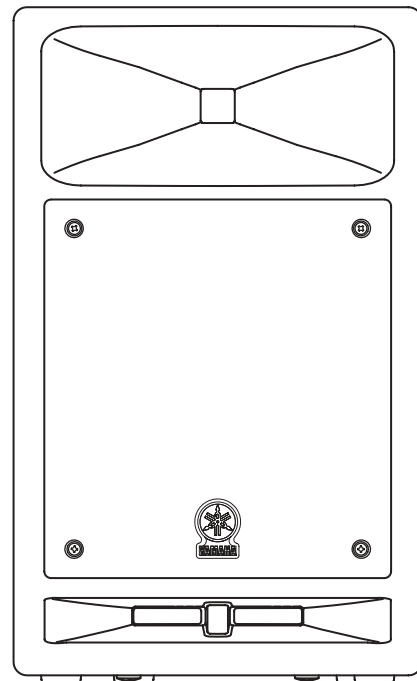




POWERED SPEAKER

MSR100

Owner's Manual
Mode d'emploi
Bedienungsanleitung
Manual de instrucciones
使用手冊



Thank you for choosing the YAMAHA MSR100 powered speaker system. The MSR100 delivers exceptionally high sound quality with smooth, extended bass response from a compact cabinet. The high-performance internal power amplifier delivers 100 watts, and a mixing function is provided for compatibility with the widest possible range of applications. In order to take maximum advantage of the MSR100's features and ensure maximum performance and longevity, please read this manual carefully before using the MSR100. Keep the manual in a safe place for future reference.

Contents

Precautions	3
Rear Panel	5
Connection Examples	6
Specifications	7
General specifications	7
Amp. Unit	7
Dimensions	7
Performance graph	7
Block Diagram	7

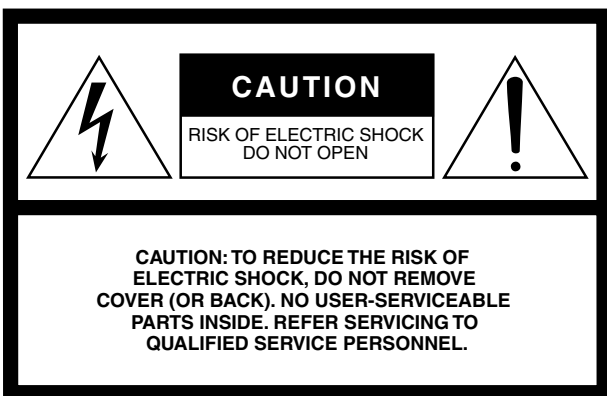
ENGLISH

FRANÇAIS

DEUTSCH

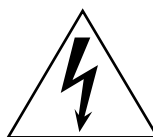
ESPAÑOL

汉语



The above warning is located on the rear of the unit.

• Explanation of Graphical Symbols



The lightning flash with arrowhead symbol within an equilateral triangle is intended to alert the user to the presence of uninsulated “dangerous voltage” within the product’s enclosure that may be of sufficient magnitude to constitute a risk of electric shock to persons.



The exclamation point within an equilateral triangle is intended to alert the user to the presence of important operating and maintenance (servicing) instructions in the literature accompanying the product.

IMPORTANT SAFETY INSTRUCTIONS

- 1 Read these instructions.
- 2 Keep these instructions.
- 3 Heed all warnings.
- 4 Follow all instructions.
- 5 Do not use this apparatus near water.
- 6 Clean only with dry cloth.
- 7 Do not block any ventilation openings. Install in accordance with the manufacture’s instructions.
- 8 Do not install near any heat sources such as radiators, heat registers, stoves or other apparatus (including amplifiers) that produce heat.
- 9 Do not defeat the safety purpose of the polarized or grounding-type plug. A polarized plug has two blades with one wider than the other. A grounding type plug has two blades and a third grounding prong. The wide blade or the third prong are provided for your safety. If the provided plug does not fit into your outlet, consult an electrician for replacement of the obsolete outlet.
- 10 Protect the power cord from being walked on or pinched particularly at plugs, convenience receptacles, and the point where they exit from the apparatus.
- 11 Only use attachments/accessories specified by the manufacturer.
- 12 Use only with the cart, stand, tripod, bracket, or table specified by the manufacturer, or sold with the apparatus. When a cart is used, use caution when moving the cart/apparatus combination to avoid injury from tip-over.
- 13 Unplug this apparatus during lightning storms or when unused for long periods of time.
- 14 Refer all servicing to qualified service personnel. Servicing is required when the apparatus has been damaged in any way, such as power-supply cord or plug is damaged, liquid has been spilled or objects have fallen into the apparatus, the apparatus has been exposed to rain or moisture, does not operate normally, or has been dropped.



WARNING

TO REDUCE THE RISK OF FIRE OR ELECTRIC SHOCK, DO NOT EXPOSE THIS APPARATUS TO RAIN OR MOISTURE.

WARNING: THIS APPARATUS MUST BE EARTHED

IMPORTANT

THE WIRES IN THIS MAINS LEAD ARE COLOURED IN ACCORDANCE WITH THE FOLLOWING CODE:

GREEN-AND-YELLOW :	EARTH
BLUE :	NEUTRAL
BROWN :	LIVE

As the colours of the wires in the mains lead of this apparatus may not correspond with the coloured markings identifying the terminals in your plug, proceed as follows:

The wire which is coloured GREEN and YELLOW must be connected to the terminal in the plug which is marked by the letter E or by the safety earth symbol \perp or coloured GREEN and YELLOW.

The wire which is coloured BLUE must be connected to the terminal which is marked with the letter N or coloured BLACK.

The wire which is coloured BROWN must be connected to the terminal which is marked with the letter L or coloured RED.

* This applies only to products distributed by YAMAHA KEMBLE MUSIC (U.K.) LTD.

Precautions

WARNING

Installation

- Connect this unit's power cord only to an AC outlet of the type stated in this Owner's Manual or as marked on the unit. Failure to do so is a fire and electrical shock hazard.
- Do not allow water to enter this unit or allow the unit to become wet. Fire or electrical shock may result.
- Do not place heavy objects, including this unit, on top of the power cord. A damaged power cord is a fire and electrical shock hazard. In particular, be careful not to place heavy objects on a power cord covered by a carpet.
- Do not place a container with liquid or small metal objects on top of this unit. Liquid or metal objects inside this unit are a fire and electrical shock hazard.

Operation

- Do not scratch, bend, twist, pull, or heat the power cord. A damaged power cord is a fire and electrical shock hazard.
- Do not insert or drop metal or flammable objects into the port of this unit. Fire or electrical shock may result.
- If lightning begins to occur, turn off the power switch of the unit as soon as possible, and unplug the power cable plug from the electrical outlet.

- If there is a possibility of lightning, do not touch the power cable plug if it is still connected. Doing so may be an electrical shock hazard.
- Do not modify the unit. Doing so is a fire and electrical shock hazard.
- Do not remove the unit's cover. You could receive an electrical shock. If you think internal inspection, maintenance, or repair is necessary, contact your dealer.
- Use only the included power cord for this unit. Using other types may be a fire and electrical shock hazard.

In case an abnormality occurs during operation

- If the power cord is damaged (i.e., cut or a bare wire is exposed), ask your dealer for a replacement. Using the unit with a damaged power cord is a fire and electrical shock hazard.
- If you notice any abnormality, such as smoke, odor, or noise, or if a foreign object or liquid gets inside the unit, turn it off immediately. Remove the power cord from the AC outlet. Consult your dealer for repair. Using the unit in this condition is a fire and electrical shock hazard.
- Should this unit be dropped or the cabinet be damaged, turn the power switch off, remove the power plug from the AC outlet, and contact your dealer. If you continue using the unit without heeding this instruction, fire or electrical shock may result.

CAUTION

Installation

- Keep this unit away from the following locations:
 - Locations exposed to oil splashes or steam, such as near cooking stoves, humidifiers, etc.
 - Unstable surfaces, such as a wobbly table or slope.
 - Locations exposed to excessive heat, such as inside a car with all the windows closed, or places that receive direct sunlight.
 - Locations subject to excessive humidity or dust accumulation.
- Do not place the power cord close to a heater. It may melt, causing fire or electrical shock.
- Hold the power cord plug when disconnecting it from an AC outlet. Never pull the cord. A damaged power cord is a potential fire and electrical shock hazard.
- Do not touch the power plug with wet hands. Doing so is a potential electrical shock hazard.
- This unit has ventilation holes at the rear to prevent the internal temperature rising too high. Do not block them. Blocked ventilation holes are a fire hazard.

In particular, do not

- place the unit on its side or upside down,
 - place the unit in any poorly-ventilated location such as a bookcase or closet (other than on the dedicated rack),
 - cover the unit with a table cloth or place it on a carpet or bed.
- To relocate the unit, turn the power switch off, remove the power plug from the AC outlet, and remove all connecting cables. Damaged cables may cause fire or electrical shock.
 - Allow enough free space around the unit for normal ventilation. This should be: 30 cm at the sides, 30 cm behind, and 30 cm above. Open a ventilation hole. If the airflow is not adequate, the unit will heat up inside and may cause a fire.

Operation

- Turn off all musical instruments, audio equipment, and speakers when connecting to this unit. Use the correct connecting cables and connect as specified.
- Always lower the volume control to minimum before turning on the power to this unit. A sudden blast of sound may damage your hearing.
- Do not output distorted sounds for long periods of time, as this will cause the speaker to heat up, leading to a fire hazard.
- Do not raise the volume of speakers to a level that makes you feel uncomfortable. Listening to loud music for long periods can damage your hearing.
- If you know you will not use this unit for a long period of time, such as when going on vacation, remove the power plug from the AC outlet. Leaving it connected is a potential fire hazard.

Maintenance

- To prevent electrical shock when cleaning the unit, remove the power plug from the AC outlet.

PRECAUTIONS – FOR CORRECT OPERATION –

Connector pin assignments

- XLR-type connectors are wired as follows: pin 1: ground, pin 2: hot (+), and pin 3: cold (-).

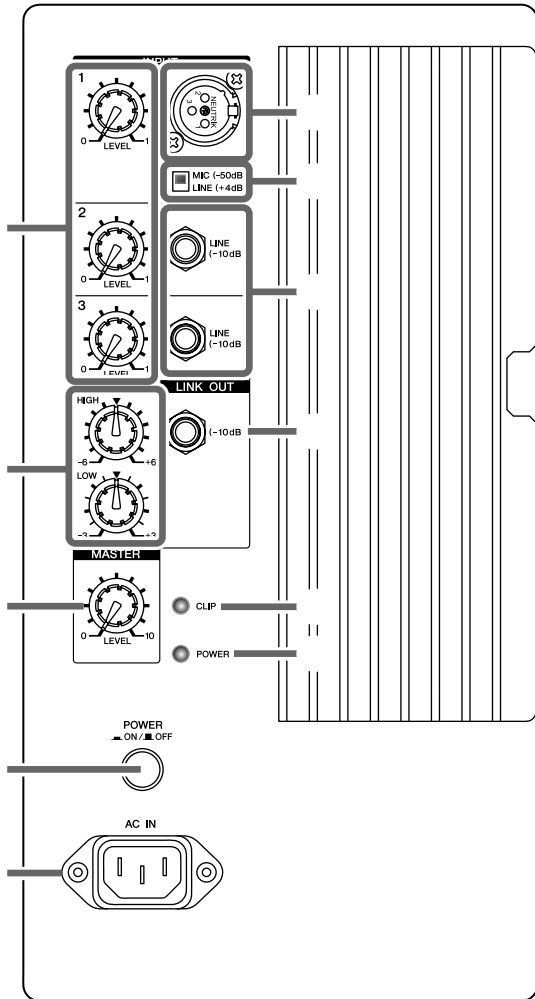
Installation

- This speaker system is not magnetically shielded. If a nearby monitor exhibits any distortion or unnatural color shift, move the speaker further away from the monitor.

Influence on cell phone usage

- Using a cell phone (mobile telephone) near this unit may induce noise. If noise occurs, use the telephone away from the unit.

Rear Panel



① POWER Switch

Turns power to the MSR100 on and off. When the power is turned on the POWER indicator (⑩) will light green.

② INPUT1 Connector

This dual-mode input connector is a balanced XLR-3-31 type.

The INPUT1 connector can be set for two types of input: when the sensitivity switch (③) is set to MIC microphone-level signals can be connected directly to the input; when the sensitivity switch (③) is set to LINE the input accepts line-level signals such as those from a preamplifier or mixer.

③ Sensitivity Switch

Use this switch to set the sensitivity of the INPUT1 connector to match MIC (microphone-level) or LINE (line-level) input signals.

④ INPUT2 and INPUT3 Connectors

The INPUT2 and INPUT3 connectors are unbalanced phone jacks for direct connection of line-level audio signals and musical instruments.

⑤ LEVEL Controls

Adjust the level of the signals received at the INPUT1, INPUT2, and INPUT3 connectors (②, ④).

⑥ EQ Controls

HIGH: The HIGH control adjusts the output level at 10 kHz over a ± 6 dB range. Rotate clockwise to boost or counterclockwise to cut.

LOW: The LOW control adjusts the output level at 60 Hz over a ± 3 dB range. Rotate clockwise to boost or counterclockwise to cut.

⑦ LINK OUT Connector

This is a “direct output” connector that outputs a mix of the signals received at the INPUT1, INPUT2 and INPUT3 connectors (②, ④).

⑧ MASTER LEVEL Control

Adjusts the overall output level.

⑨ CLIP Indicator

The CLIP indicator will light red if excessively high signal levels cause amplifier clipping. If this occurs, reduce the level of LEVEL controls (⑤) or MASTER LEVEL controls (⑧).

⑩ POWER Indicator

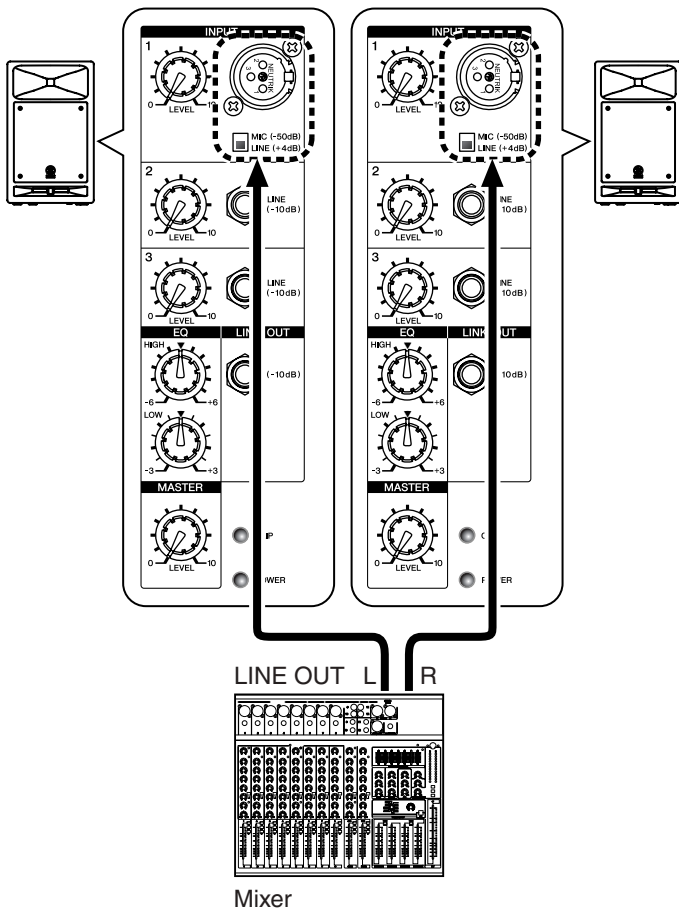
Light green when the POWER switch (①) is turned on.

⑪ AC IN Connector

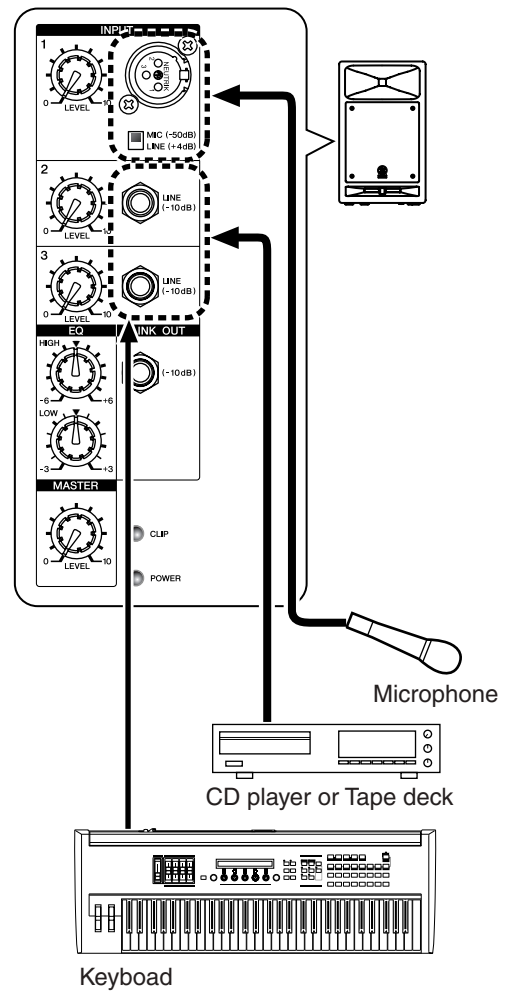
Connect the supplied power cord here.

Connection Examples

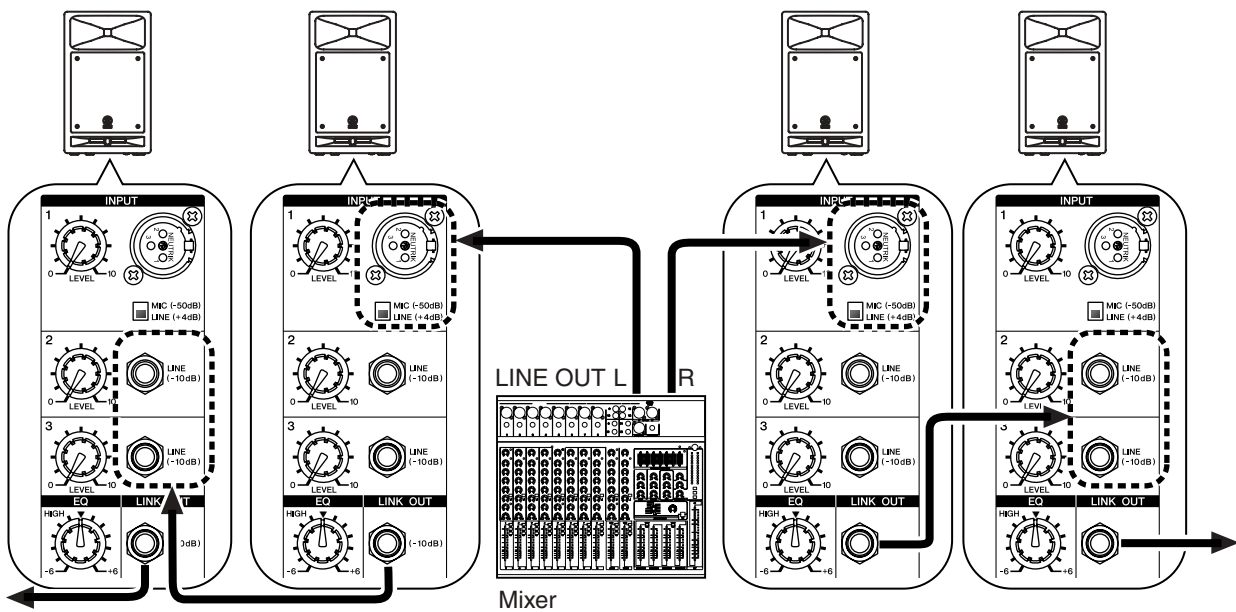
Connecting to a mixer



Connecting a microphone and other sources directly



Daisy chain



ENGLISH

Specifications

General specifications

Type
2way Bass Reflex Powered Speaker

Speaker Unit
LF: 200 mm Cone
HF: 25.4 mm Compression Driver

Frequency Range55 Hz—20 kHz (−10 dB)

Cross Over Frequency4 kHz

Maximum Output Level112 dB (1 m)

Dimension (W×H×D)275 × 455.5 × 255 mm

Weight11 kg

ColorBlack (Approximate Munsell Value 5 PB2/1)

AccessoriesPower supply cord 2.5 m (AC Inlet type)

OptionBWS50-190/260/320, BCS251, BBS251

EQ ControlLOW: ±3 dB at 60 Hz
HIGH: ±6 dB at 10 kHz

POWER SwitchON/OFF

Connectors
INPUT 1XLR-3-31 (balanced)
INPUT 2, 3Phone (unbalanced)
LINK OUTPhone (unbalanced)

Indicator
POWER IndicatorGreen LED
CLIP IndicatorRed LED

Power Requirement
USA and CanadaAC 120 V, 60 Hz
EuropeAC 230 V, 50 Hz
AustraliaAC 240 V, 50 Hz
KoreaAC 220 V, 60 Hz

Power Consumption70 W

Amp. Unit

Max Power100W at 1 kHz, THD=1%, RL=6Ω

Input SensitivityINPUT 1: −50 dB* (MIC), +4 dB* (LINE)
INPUT 2, 3: −10 dB*

Input ImpedanceINPUT 1, 2, 3: 10 kΩ

Output SensitivityLINK OUT: −10 dB*

Output ImpedanceLINK OUT: 10 kΩ

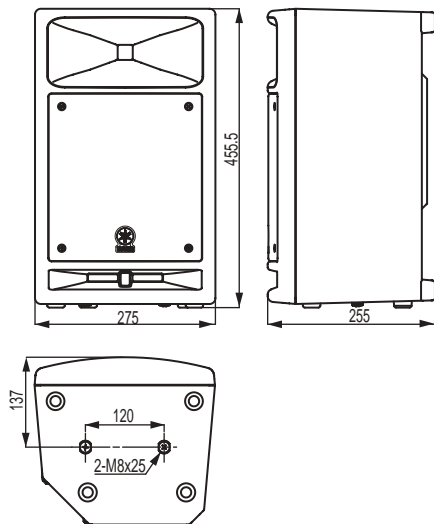
Controls
LEVEL ControlINPUT 1, 2, 3, MASTER

* 0 dB=0.775 V

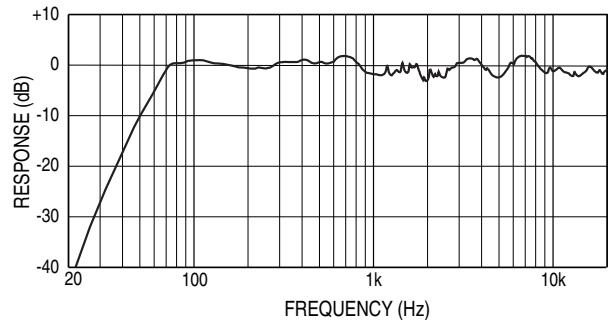
Specifications and descriptions in this owner's manual are for information purposes only. Yamaha Corp. reserves the right to change or modify products or specifications at any time without prior notice. Since specifications, equipment or options may not be the same in every locale, please check with your Yamaha dealer.

For European Model
Purchaser/User Information specified in EN55103-1 and EN55103-2.
Inrush Current: 10 A
Conformed Environment: E1, E2, E3 and E4

Dimensions



Performance Graph



Block Diagram

