

Powered Loudspeakers

DXR Series

DXR8 DXR10 DXR12 DXR15



POWER TO THE PEOPLE

Performance runs in the family, and like the acclaimed DSR Series, DXR Series loudspeakers offer superb high-definition sound and class-leading sound pressure levels—yet in a more compact and extremely functional design that provides a level of versatility unmatched by any speaker in its class today. The DXR Series is comprised of four full-range models perfectly suited for front-of-house sound, monitors, simple amplification, rigged applications and more. Combining the series with our DXS subwoofers will further elevate your system's performance, giving you versatile control of its thunderous bottom end. With the perfect balance of raw power and innovative speaker technologies, you can depend on DXR Series speakers to deliver the full power of your performance to every member of your audience.

Amplifier and Speaker Technologies

Yamaha loudspeakers don't owe their superb audio performance to cutting-edge DSP technology alone. Only in combination with the very best amplifier units and Yamaha's accrued knowledge of acoustic technologies can these speakers operate at such a consistent, reliable level of performance.

High-Efficiency Class-D Amplifier to deliver the Best-in-class Power

DSR, DXR, DBR and DXS Series are all equipped with highly efficient Class-D amplifiers that were designed to match HF and LF transducers and get the very best performance out of each model. Combined with customized speaker units, these high-performance amplifiers deliver the highest sound output in their class, producing up to 138dB SPL in the high-end DSR215. They also provide very fast attack and superior transient response, contributing to audio performance substantially.



Custom Designed Transducer for High-Definition Sound

Choosing the right transducer can have a considerable impact on the overall sound of a speaker and it's not a task our team took lightly. All DSR, DXR, DBR and DXS transducers were meticulously selected and thoroughly customized in order to deliver the best possible performance. The detailed characteristics and behavior of each transducer were fully analyzed and evaluated with sophisticated computer simulations in order to help realize their full performance potential. The high power output woofers deliver minimal distortion and defined, deep bass, while the precision compression drivers produce accurate midrange and high frequencies up to 20kHz.



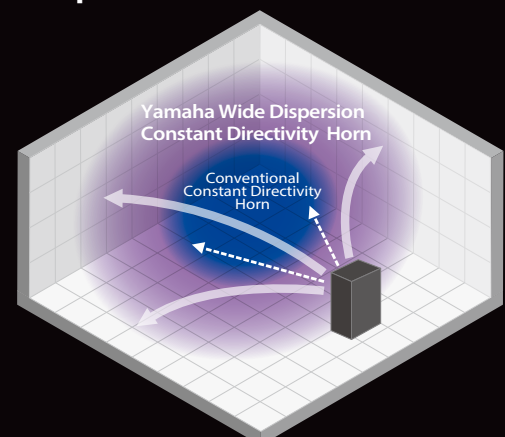
Rugged Enclosure Design for Optimal Acoustic Performance

The durability, materials, and shape of the enclosure have a profound effect on the overall sound of the speaker. Even if high-quality amplifiers and transducers are used, a lack of durability, or errant design of the enclosure will create unwanted resonance and noise. By drawing from Yamaha's extensive history of developing loudspeakers and studio monitors, we carefully simulated and designed highly durable cabinets that eliminate unwanted resonance, and help deliver high-definition sound regardless of the output levels.



Wide Dispersion Constant Directivity Horn for Consistent Sound Dispersal

The extremely accurate constant directivity horn was designed with the goal of minimizing the radiation pattern deterioration in oblique directions that other, more conventional horns are prone to. This can help to achieve a more ideal coverage area without irregularities. With Yamaha's wide dispersion constant directivity horn, sound expands in a more rectangular pattern, evenly dispersing wide-frequency sound to the outer-most edges of the coverage area.



High-Efficiency 1100W Class-D Amplifiers

The DXR's compact but highly efficient Class-D amplifier also delivers class-leading sound output with 1100W of power, producing an impressive SPL of up to 133dB, with consistent precision and dynamic performance. The powerful amplifier employs a switching-mode power supply that guarantees consistent performance worldwide.



Custom Designed Transducers

The high power output woofers come equipped with a 2.5" voice coil magnet (2" for DXR8 and DXR10) delivering minimal distortion and clear, prominent bass; while the 1.4" compression drivers produce accurate midrange frequencies and highs up to 20kHz.

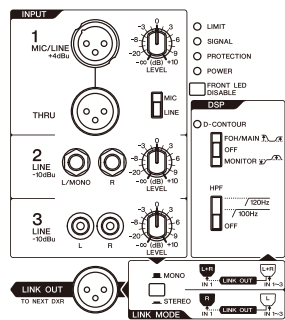


Durable, Compact ABS Enclosures

DXR Series speaker cabinets are moulded in rugged, non-resonant ABS enclosures, designed to dampen down vibrations caused by high output levels, in order to produce less distortion and add to overall sonic quality. The road-tested enclosures are equipped with heavy-duty steel grilles and ergonomic, gripped aluminum handles that greatly improve durability.

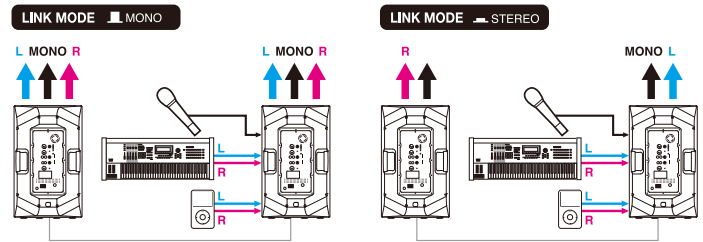


Intelligent Onboard 3-Channel Mixer



The DXR Series features a flexible onboard mixer with a variety of inputs, making it ideal for simple vocal/instrument amplification. With its flexible IN/OUT connectivity, the DXR Series can comprise a full sound reinforcement system, or seamlessly integrate into a setup utilizing DSR, DBR or DXS Series speakers.

- Versatile Mic and Line Level Input Capacity
- Flexible HPF Control with 100Hz or 120Hz options



• Smart Mixing / Linking Function

Each channel has an individual volume control, letting you mix three discrete audio sources. THRU out passes the input signal from INPUT1 and LINK OUT sends mixed signal from all channels—ideal for daisy-chaining or routing the signal to another destination. LINK MODE is very useful for configuring a compact SR system with another DXR, while LINK MODE allows you to easily switch between stereo or dual-mono configurations.

Smart Enclosure Design for Floor Monitoring

DXR10, DXR12 and DXR15 models have optimal 50° wedge angle for floor monitor use. In addition, the DXR12 and DXR15's enclosure design enables mirror-mode monitor placement that can create either a symmetrical sound field for the performer with a larger, more defined "sweet spot" or a stereo sound field setup.



Dual-Angle Pole Mount Socket

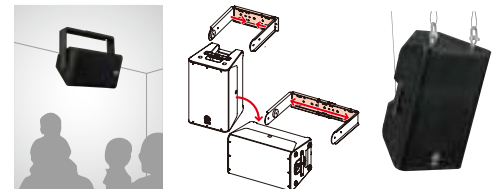
DXR's pole mount socket offers two positions—0° and 7°—to direct the acoustic energy away from reflective surfaces in a room with low ceilings and on to your audience where it belongs.



Rigging Points for Standard Eye-bolts and Optional U-Brackets

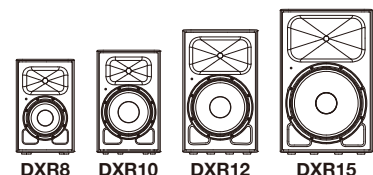
DXR Series loudspeakers come equipped with rigging points, allowing for rigged application with standard eyebolts*. When more versatility is required, optional U-brackets allow simple and easy rigging in both horizontal and vertical configurations.

*Eyebolts not included



	Power Rating ^{*1}	Maximum SPL ^{*2}	Frequency Range	LF	HF	Coverage Angle
DXR8	1100W	129dB SPL	57Hz–20kHz	8" cone	1.4" diaphragm, 1" throat	H90°x V60°
DXR10	1100W	131dB SPL	56Hz–20kHz	10" cone	1.4" diaphragm, 1" throat	H90°x V60°
DXR12	1100W	132dB SPL	52Hz–20kHz	12" cone	1.4" diaphragm, 1" throat	H90°x V60°
DXR15	1100W	133dB SPL	49Hz–20kHz	15" cone	1.4" diaphragm, 1" throat	H90°x V60°

*1 Dynamic Power *2 Measured Maximum SPL (peak)

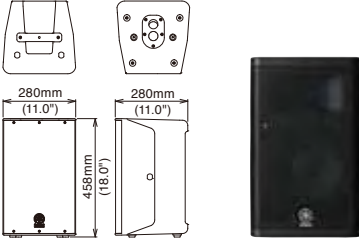


DXR Series

8" 2-way Powered Loudspeaker

DXR8

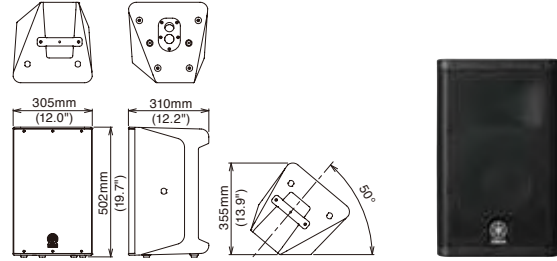
The most compact of the DXR Series speakers, the DXR8 makes the most of its 1100W of power, delivering extremely high output while maintaining outstanding resolution. Adding a DXS12 subwoofer gives you an ultra-compact high-power SR system.



10" 2-way Powered Loudspeaker

DXR10

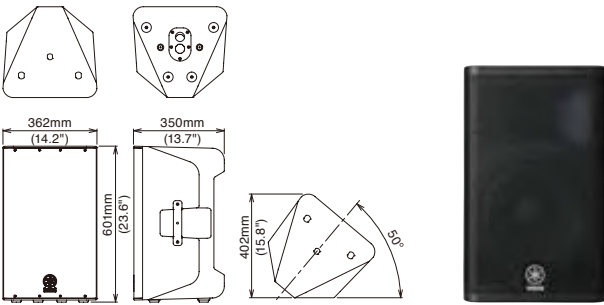
Portable, yet capable of producing an astonishing 131 dB SPL, the DXR10's compact, functional design makes it ideal for a wide range of applications. Whether providing simple vocal/ instrument amplification, very powerful floor monitoring or comprising a compact SR system—the DXR10 delivers without compromising sound quality and power.



12" 2-way Powered Loudspeaker

DXR12

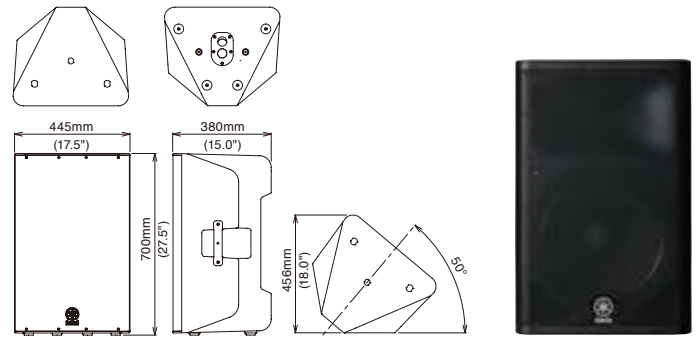
The DXR12 is an extremely high-power loudspeaker that is capable of producing a maximum SPL of 132dB with its impressive 1100W of power. It is the perfect solution for live sound applications that demand wide bandwidth and extremely high-resolution sound.



15" 2-way Powered Loudspeaker

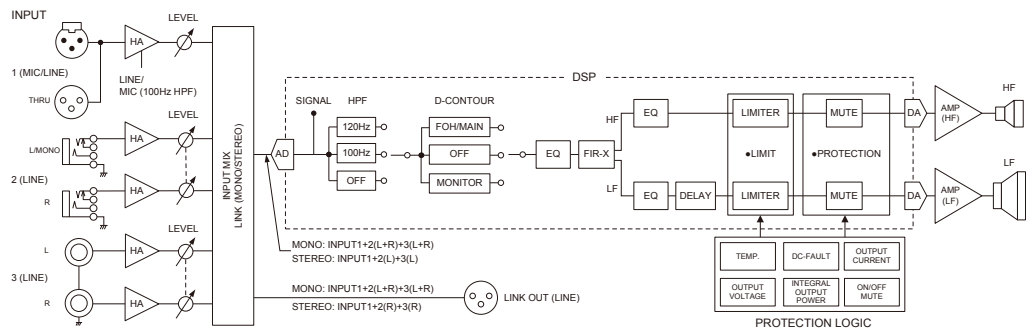
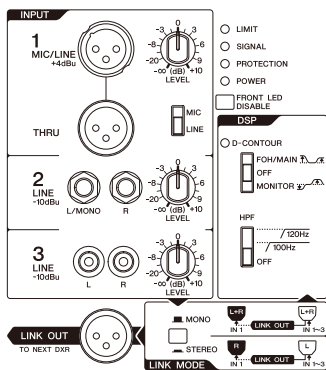
DXR15

The DXR15 achieves class-leading SPLs and full bandwidth performance by combining a powerful Class-D amplifier with a high-power woofer and Yamaha's cutting edge technologies. Throw in some D-CONTOUR and you'll feel like you're using a subwoofer.



Rear Panels & Block Diagrams

DXR Series



Optional Brackets

U Bracket



Model	Compatible Speakers
UB-DXR8	DXR8
UB-DXR10	DXR10
UB-DXR12	DXR12
UB-DXR15	DXR15

UB-DXR brackets can be used with other brackets like BBS215 etc.

Baton Bracket



Model	Compatible Speakers
BBS251	DBR10/12/15

Ceiling Bracket



Model	Compatible Speakers
BCS251	DBR10/12/15

Wall Bracket

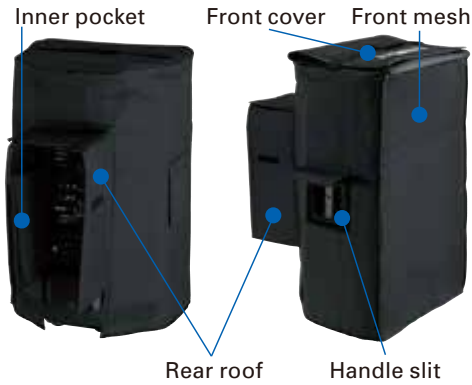


Model	Compatible Speakers
BWS251-300	DBR10/12/15
BWS251-400	DBR10/12/15

Functional Speaker Covers

Introducing Yamaha's newly designed functional speaker covers that protect your speakers from unfavorable weather conditions during outdoor performances, dusty and dirty warehouse storage, or the rigors of equipment transport on the road.

SPCVR-1501 on DXR15



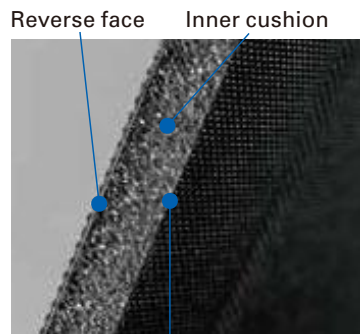
Model	Compatible Speakers
SPCVR-0801	DXR8
SPCVR-1001	DXR10, DBR10, CBR10
SPCVR-1201	DXR12, DBR12, CBR12
SPCVR-1501	DXR15, DBR15, CBR15
SPCVR-12S01	DXS12
SPCVR-15S01	DXS15
SPCVR-18S01	DXS18

*Please visit our Web site for the latest information (<http://www.yamahaproaudio.com>)

SPCVR-18S01 on DXS18



Triliminar fabric



Polyester surface with PVC coating backside

Optional Wheel kit

For more fast and convenient setup of your DXS18 subwoofers, optional wheels are available, featuring radial ball bearings that ensure quiet during your performance.

*Only for DXS18 (SPW-1)



Model	Compatible Speakers
SPW-1	DXS18



SHARING PASSION & PERFORMANCE

YAMAHA CORPORATION
P.O. BOX 1, Hamamatsu Japan

www.yamahaproaudio.com

*All specifications are subject to change without notice.
*All trademarks and registered trademarks are property of their respective owners.



Printed in Japan

DXR Series

Powered Loudspeaker



DXR15



DXR12



DXR10



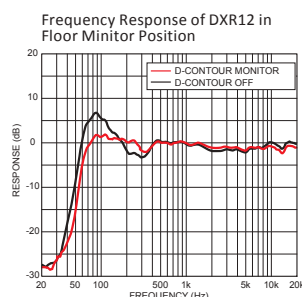
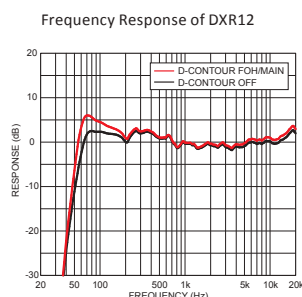
DXR8

High-definition sound and ultimate power in compact, versatile design

- Output levels up to 133dB SPL with 1100W of power
- Precise 48-bit DSP processing with Yamaha's proprietary FIR-X tuning™ delivers high-definition sound
- D-CONTOUR intelligent multi-band dynamic processing delivers powerful, consistently high-quality sound at all output levels in FOH or monitor applications
- Extensive DSP protection functions for maximum output
- Custom-designed transducers and top-quality components add up to unequalled performance
- Extremely accurate 90 x 60 constant directivity horn
- Intelligent onboard 3-channel mixer with flexible IN/OUT connectivity for versatile system integration
- Flexible HPF control allows optimum matching with DSR and DXS subwoofers
- Universal switching-mode power supply for world-wide use
- Durable, compact ABS enclosures
- Symmetrical enclosure design for mirror-mode floor monitoring (DXR12 and DXR15)
- Dual-angle pole mount plus rigging points for standard eye-bolts and optional U-brackets

D-CONTOUR (Dynamic-CONTOUR)

An intelligent multi-band compressor that provides powerful and consistent sound throughout all output levels.



DXR Series

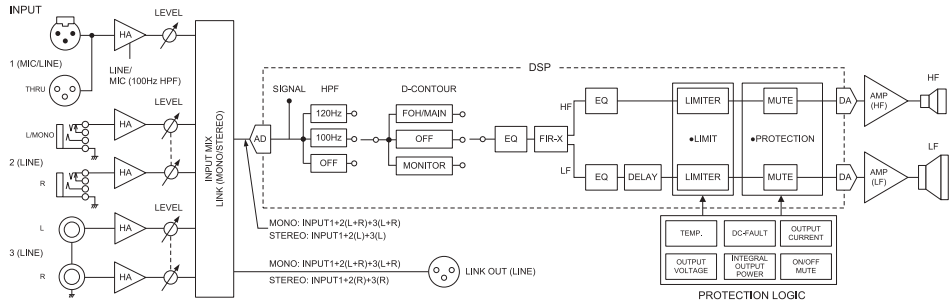
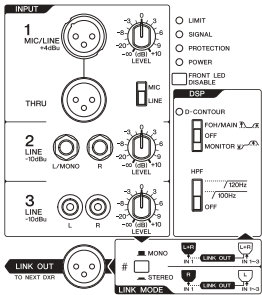
GENERAL SPECIFICATIONS

Model	DXR15	DXR12	DXR10	DXR8
Speaker Type	2-way, Bi-amp powered speaker, Bass-reflex type			
Frequency Range	-10dB 49Hz - 20kHz	52Hz - 20kHz	56Hz - 20kHz	57Hz - 20kHz
Nominal coverage (Horizontal x Vertical)	90° x 60°			
Maximum SPL (1m, on axis)	133dB SPL	132dB SPL	131dB SPL	129dB SPL
Components	LF 15" cone, 2.5" voice coil HF 1.4" compression driver (1" throat)	12" cone, 2.5" voice coil	10" cone, 2" voice coil	8" cone, 2" voice coil
Crossover Type	FIR-X tuning™ (Linear phase FIR filter)			
Crossover Frequency	2.1kHz		2.3kHz	
Output Power	Dynamic 1100W (LF: 950W, HF: 150W) Continuous 700W (LF: 600W, HF: 100W)		90W	
Connectors	INPUT: XLR-3-31 x1, INPUT2: Phone x2, INPUT3: RCA PIN x2, THRU: XLR3-32 x 1 (Parallel with INPUT 1), LINK OUT: XLR x 1			
Processors	D-CONTOUR: FOH/MAIN, MONITOR, OFF			
Power Requirements	100V - 240V, 50Hz/60Hz			
Power Consumption	110W		90W	
Flying and Mounting Hardware	Top x2, Rear x1 (Fits for M10 x 18mm eyebolts)		Top x2, Rear x1 (Fits for M8 x 15mm eyebolts)	
Pole socket	35mm with 2-way features (0 or 7 degrees)			
Dimensions (W x H x D)	445 x 700 x 380mm (17.5" x 27.5" x 15.0")	362 x 601 x 350 mm (14.2" x 23.6" x 13.7")	305 x 502 x 310 mm (12.0" x 19.7" x 12.2")	280 x 458 x 280 mm (11.0" x 18.0" x 11.0")
Weight	22.5kg (49.6lbs)	19.3kg (42.5lbs)	14.6kg (32.2lbs)	13.5kg (29.8lbs)
Accessories	UB-DXR15 (U-barcket)	UB-DXR12(U-barcket)	UB-DXR10 (U-barcket)	UB-DXR8 (U-barcket)
Material	ABS (Matte Finish, Black)			

INPUT SPECIFICATIONS

Model	DXR15	DXR12	DXR10	DXR8
Connectors	Input INPUT1: XLR3-31 x1, INPUT2: Phone x2, INPUT3: RCA PIN x2 Output THRU: XLR3-32 x1 (Parallel with INPUT1), LINK OUT: XLR3-32 x1			
Input Impedance	INPUT1 LINE: 12k Ω , MIC: 8k Ω INPUT2, 3 L, R: 40k Ω , MONO: 20k Ω			
Input Sensitivity (LEVEL: Maximum)	INPUT1 LINE: +1dBu, MIC: -32dBu INPUT2, 3 -13dBu			
Input Sensitivity (LEVEL: Center)	INPUT1 LINE: +11dBu, MIC: -22dBu INPUT2, 3 -3dBu			
Maximum Input Level	INPUT1 LINE: +24dBu, MIC: +20dBu INPUT2, 3 +16dBu			

REAR PANELS & BLOCK DIAGRAMS



OPTIONS



DIMENSIONS

