



BS-1030

Music/Paging Speakers



Tastefully designed to harmonize with building interiors.

SPECIFICATIONS

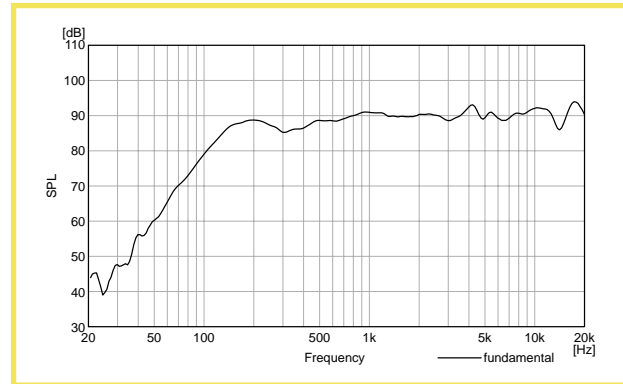
BS-1030B / BS-1030W
MUSIC/PAGING SPEAKERS

Tel: 800-733-7088
Fax: 800-733-9766
www.toaelectronics.com

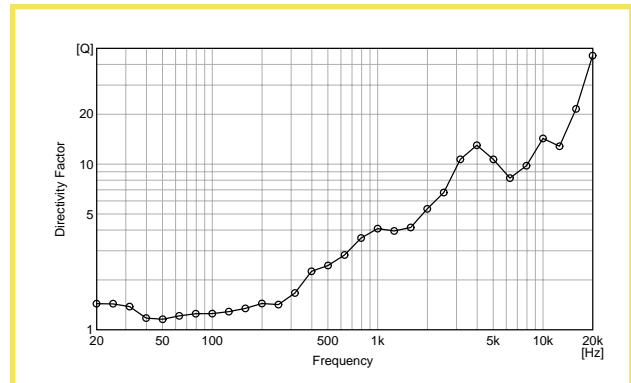


Model No.	BS-1030B / BS-1030W
Enclosure Type	Two-way bass reflex
Speaker Components	4.72" (12 cm) dynamic cone-type speaker 1" (2.5 cm) balanced dome tweeter
Impedance/Power Tap (screwdriver-adjustable rotary switch)	70.7 V line: 30 W (170 Ω), 20 W (250 Ω), 15 W (330 Ω), 10 W (500 Ω), 5 W (1k Ω) 100 V line: 30 W (330 Ω), 20 W (500 Ω), 15 W (670 Ω), 10 W (1k Ω), 5 W (2k Ω) Direct: 8 Ω
Sensitivity (1 W/1 m, anechoic chamber)	90 dB SPL
Power Handling	Continuous Program: 90 W (8-ohm) Continuous Pink Noise (24 hrs.): 30 W (8-ohm) Transformer: 30 W (70.7 V, 100 V line)
Frequency Response	80 – 20,000 Hz
Crossover Frequency	4 kHz
Speaker Cable	2-conductor cable
Weather Resistance Rating (IEC 60529)	IP-X4 (Protected against water sprayed from all directions - limited ingress)
Material / Finish	BS-1030B: Enclosure: ABS resin, black, acrylic paint, UV-resistant Grille/Bracket: Surface-treated steel plate, black, powder coating BS-1030W: Enclosure: ABS resin, white, acrylic paint, UV-resistant Grille/Bracket: Surface-treated steel plate, white, powder coating
Operating Temperature	14° F to 122° F (-10° C to +50° C)
Dimensions (W x H x D)	7.72" x 11.42" x 5.91" (196 mm x 290 mm x 150 mm)
Weight (without bracket)	5.51 lbs. (2.5 kg)
Accessories (included)	Bracket x1, Bracket Mounting Screw x2, Bracket Mounting Washer x2
Optional Brackets	BS-1030B: WCB-12 Swivel Bracket, Black BS-1030W: WCB-12W Swivel Bracket, White
Options	FB-100 Subwoofer HB-1 Flush-Mount In-Wall Subwoofer

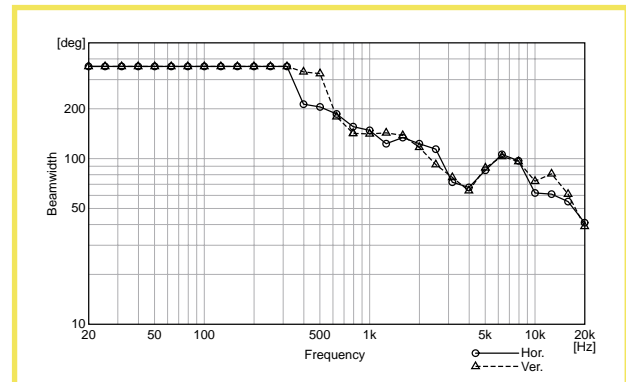
FREQUENCY RESPONSE



DIRECTIVITY FACTOR VS. FREQUENCY



BEAMWIDTH VS. FREQUENCY



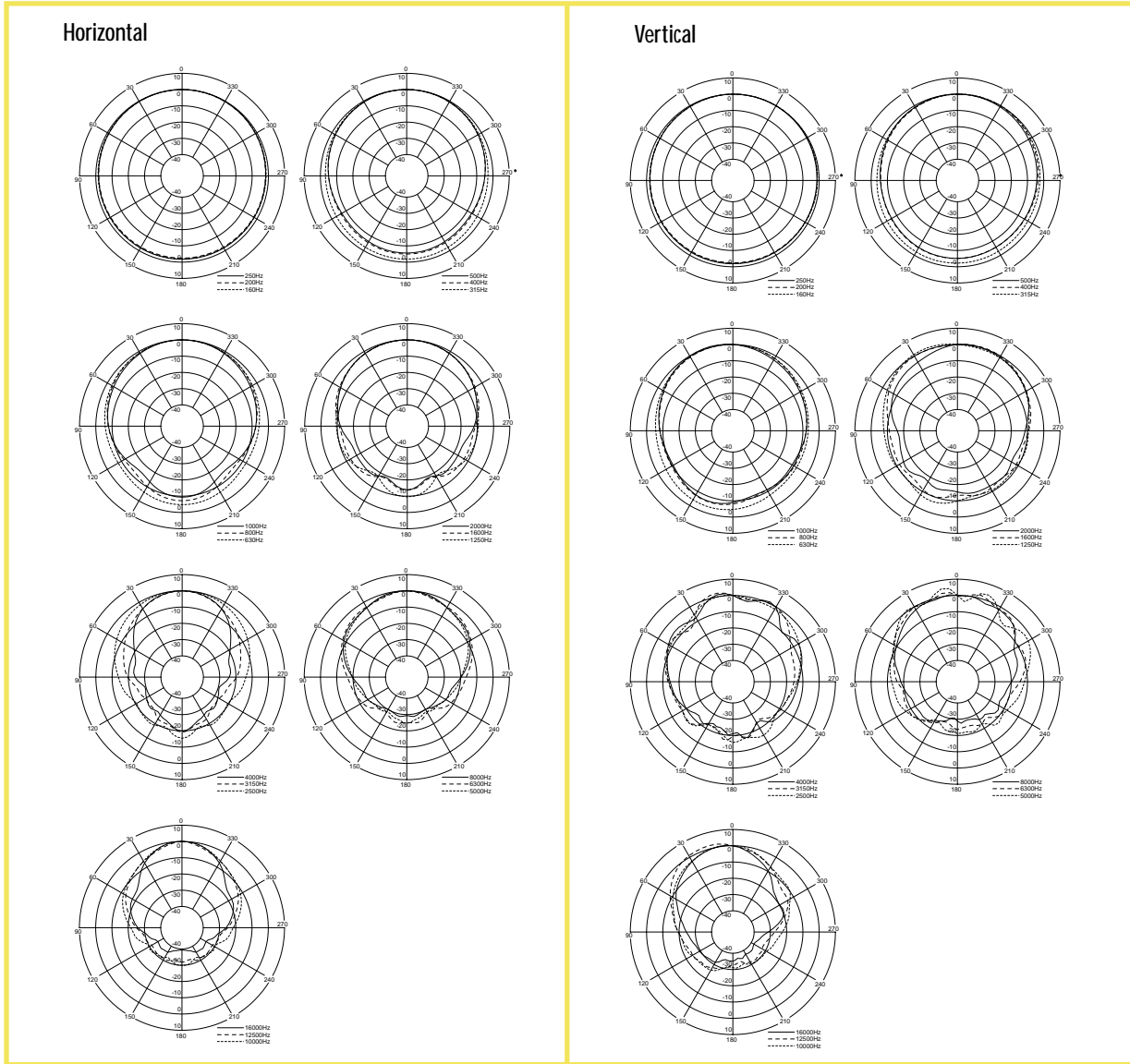
SPECIFICATIONS

BS-1030B / BS-1030W
MUSIC/PAGING SPEAKERS

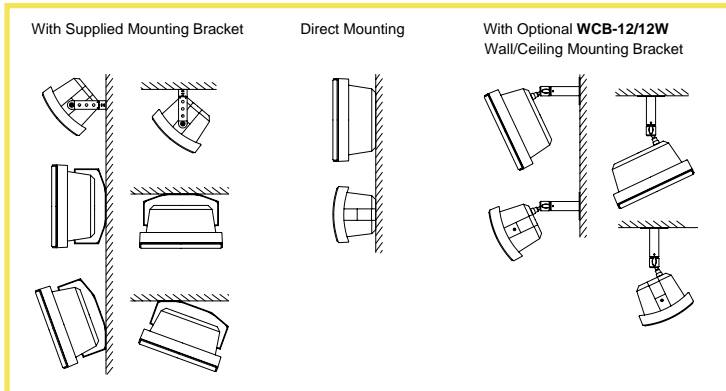
Tel: 800-733-7088
Fax: 800-733-9766
www.toaelectronics.com



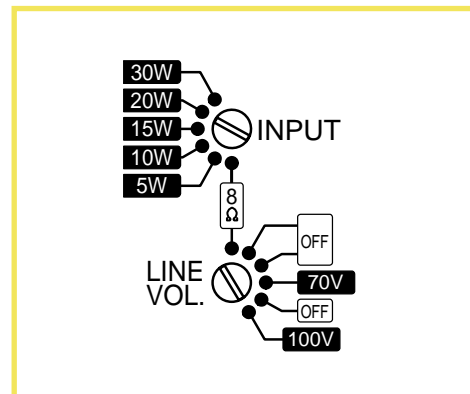
POLAR RESPONSE



MOUNTING OPTIONS



LINE VOLTAGE/ POWER TAP SELECTOR



SPECIFICATIONS

BS-1030B / BS-1030W
MUSIC/PAGING SPEAKERS

Tel: 800-733-7088
Fax: 800-733-9766
www.toaelectronics.com



ARCHITECT'S & ENGINEER'S SPECIFICATIONS

The music/paging speaker shall be a two-way bass reflex enclosure suitable for wall or ceiling mounting. The low frequency component shall be a 4.72" (12 cm) cone-type speaker and the high frequency component shall be a 1" (2.5 cm) balanced dome tweeter.

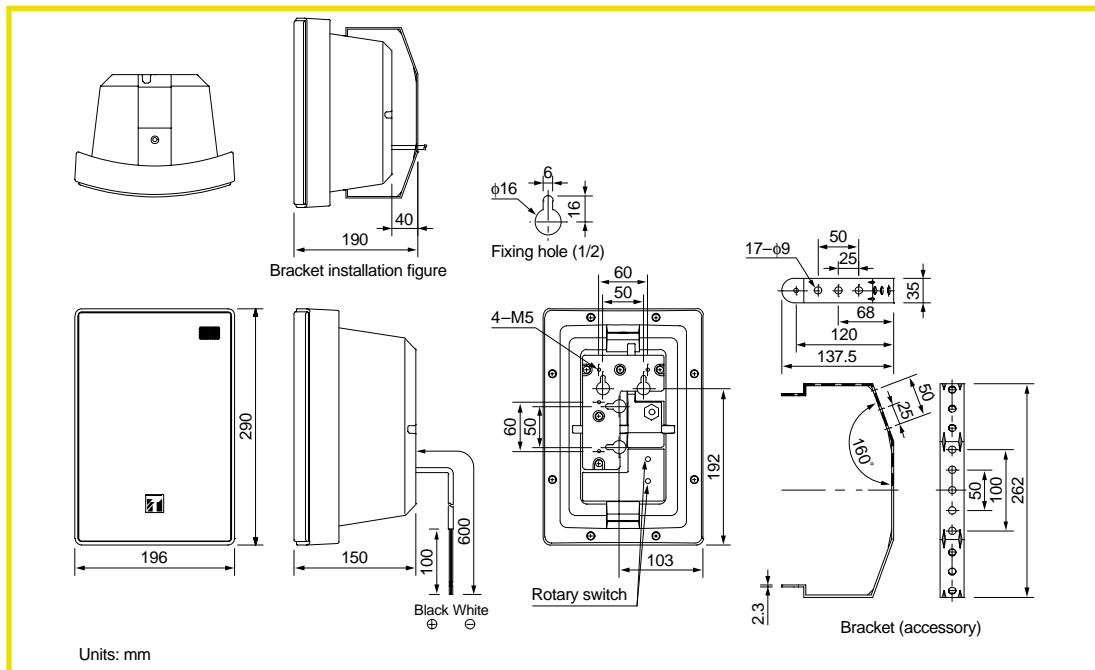
The speaker shall be compatible with low and high impedance speaker systems and include a built-in 70.7/100 V matching transformer. The rear panel shall have screwdriver-adjustable tap settings of: 30 W, 20 W, 15 W, 10 W, and 5 W plus a bypass setting for direct 8-ohm operation. The output sound pressure level at a distance of 1 meter with 1 W of input power applied shall be 90 dB SPL. The rated power handling (Continuous Program) shall be 90 W at 8 ohms and 30 W with matching transformer. The speaker shall have a frequency response from 80 Hz to 20 kHz.

The speaker enclosure shall be ABS resin, black/white treated with UV-resistant acrylic paint. The grille and bracket shall be surface-treated steel plate with black/white powder coating.

The unit shall be compact and lightweight with dimensions of 7.72" W x 11.42" H x 5.91" D (196 mm x 290 mm x 150 mm) and weight of 5.51 lbs (2.5 kg). The speaker shall have the IEC weather resistance rating of IP-X4 with an operating temperature range of 14° F to 122° F (-10° C to +50° C).

The music/paging speaker shall be the TOA BS-1030B / BS-1030W.

DIMENSIONAL DRAWING



TOA Electronics, Inc.

601 Gateway Boulevard
Suite 300
South San Francisco, CA 94080

Tel: 800-733-7088 Fax: 800-733-9766

www.toaelectronics.com

TOA Canada Corp.

Tel: 905-564-3570 Fax: 905-564-3569

Literature Order #: L-BS-1030
Specifications subject to change without notice.
© 2002 TOA Electronics, Inc.