

The Shure logo is located in the top right corner. It consists of the word "SHURE" in a bold, italicized, sans-serif font, colored in a bright lime green. The text is set against a black rectangular background that has a slight perspective, appearing to be a sticker or a label on a surface.

SHURE

MX400SE

Gooseneck Microphones

Shure MX400SE Series miniature gooseneck-mounted electret condenser microphones online user guide.
Version: 5 (2019-J)

Table of Contents

MX400SE Gooseneck Microphones	3	RFI Filtering	5
General Description	3	Microphone Placement	5
Model Variations	3	Permanent Installation	6
Interchangeable Cartridges	3	Changing from Side Exit to Bottom Exit	6
Snap-Fit Windscreen	5	Flange	6
Preamp Gain	5	Shock Mount	7
		Specifications	8
		Certifications	11

MX400SE

Gooseneck Microphones

General Description

Shure Microflex® MX400SE Series microphones are miniature gooseneck-mounted electret condenser microphones designed primarily for speech and vocal pickup. Their high sensitivity and broad frequency range make them suitable for recording, as well as sound reinforcement applications.

The MX400SE series can be screwed onto a mic stand or the supplied 5/8 in. 27-threaded flange. They can be easily changed from side exit to bottom exit to conceal the cabling. All models include an in-line preamplifier, a 3.66 m (12 ft.) cable.

- Wide dynamic range and frequency response for accurate sound reproduction
- Interchangeable cartridges that provide a choice of polar pattern for each application
- Shock mount provides over 20 dB of isolation from surface vibration noise
- Snap-fit foam windscreen
- RF filtering

Model Variations

MX400 microphones are available with 305 mm (12 in.) or 457 mm (18 in.) goosenecks, with or without a mute switch. They are available in supercardioid, cardioid and omnidirectional polar patterns.

- "S" models include a mute button and LED.
- "D" models include a desktop base with programmable mute button and LED and logic input and output.
- "SE" models feature a surface mount flange with side-exit cable.

The polar pattern of the included cartridge is indicated by a model number suffix:

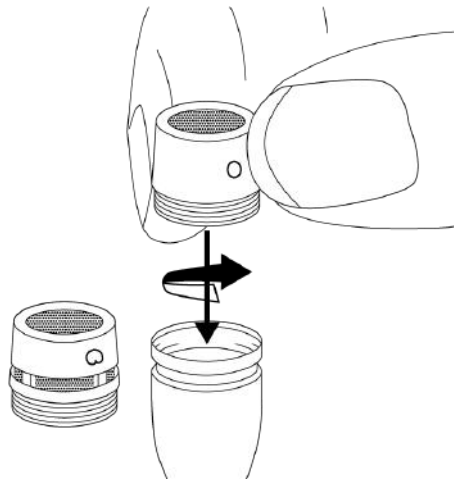
/C Cardioid

/S Supercardioid

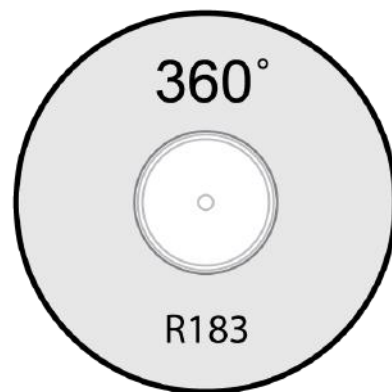
/O Omnidirectional

/N Cartridge not included

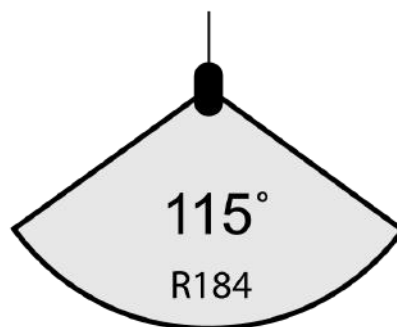
Interchangeable Cartridges



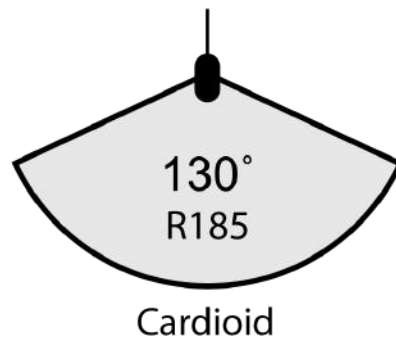
Microflex microphones use interchangeable cartridges that allow you to choose the polar pattern for different installations.



Omnidirectional

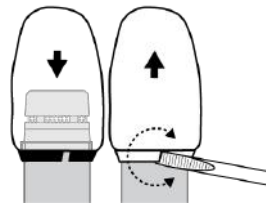


Supercardioid



Snap-Fit Windscreen

- Snap into the groove below the cartridge.
- To remove, spread the gap with a screwdriver or thumbnail.
- Provides 30 dB of "pop" protection.



Preamp Gain

If necessary, the preamplifier gain can be reduced by 12 dB. Contact an authorized Shure service center for information.

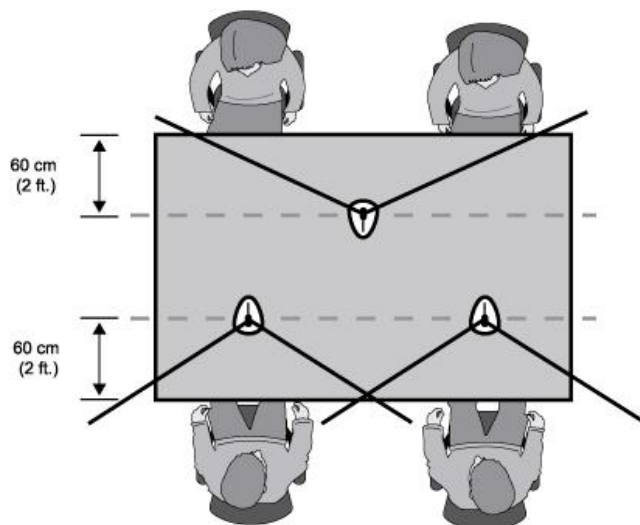
RFI Filtering

Important: Microphones must be used with the RK100PK or RK202PK plate-mounted preamp to optimize RF immunity.

Microphone Placement

- Aim the microphone toward the desired source, such as the talker.
- Aim it away from any unwanted source, such as a loudspeaker.
- Place the microphone within 15 to 30cm (6 to 12 in.) of the desired sound source.
- Always use the supplied windscreen or optional metal windscreen to control breath noise.

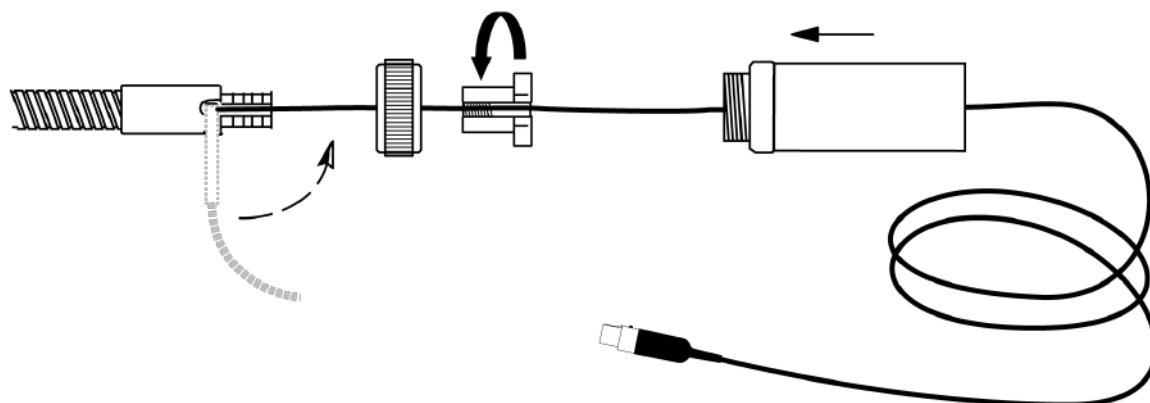
- If four or more microphones will be open at the same time, use of an automatic mixer, such as the Shure SCM810 or SCM410, is recommended.



Permanent Installation

Changing from Side Exit to Bottom Exit

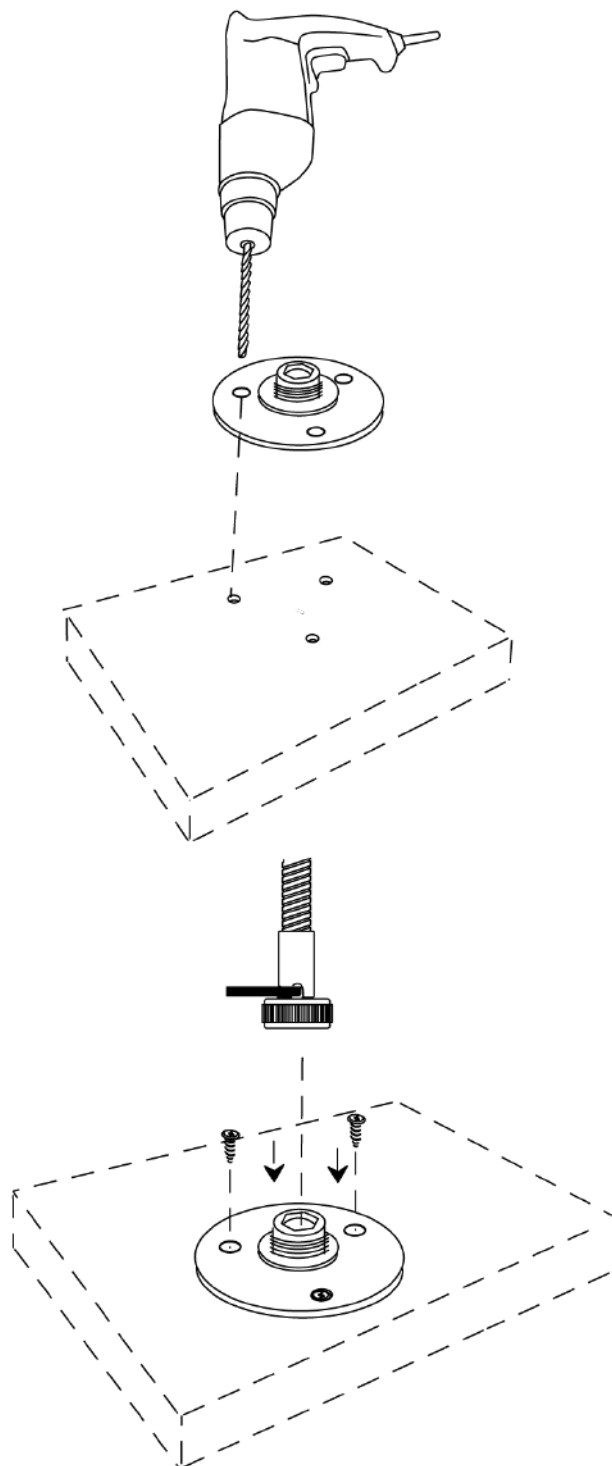
Do not cut the cable to reroute. This will compromise RF immunity.



Mount the microphone using one of the following methods.

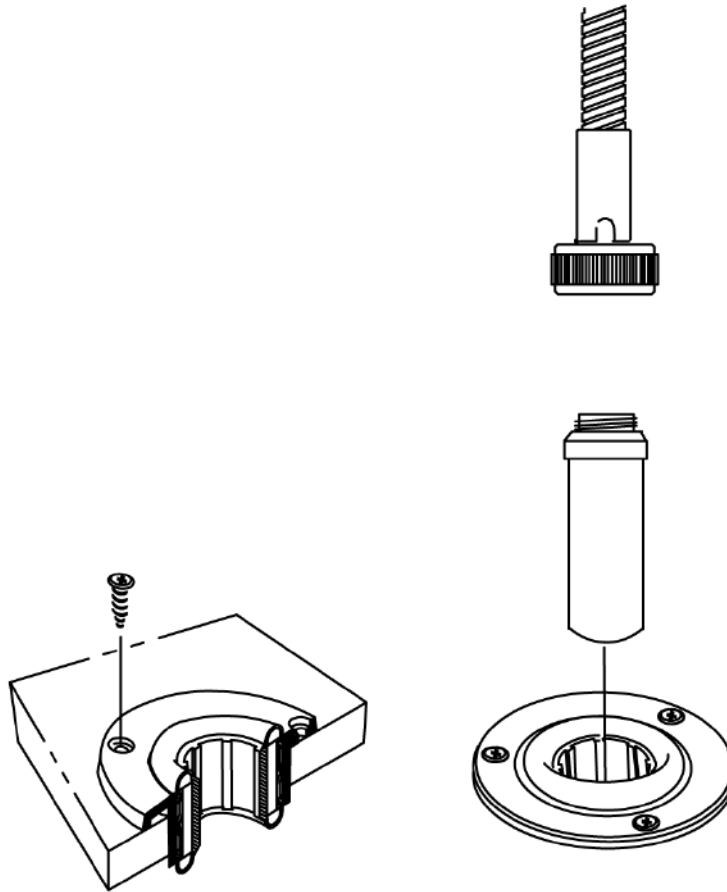
Flange

Slip the mounting flange retaining ring over the bottom of the preamplifier and slide it up until it is flush to the bottom of the flange. Then press the ring firmly into place.



Shock Mount

1. Drill a 44mm(1-3/4 in.) diameter hole in desired mounting surface.
2. Mark and drill starter holes for screws, using shock mount as a template.
3. Secure shock mount to mounting surface with screws.
4. Thread the supplied adapter onto the MX400SE microphone before inserting it into the shock mount.



Specifications

Type

Electret Condenser

Frequency Response

50 to 17000 Hz

Polar Pattern

MX412SE/C, MX418SE/C	Cardioid
MX412SE/S, MX418SE/S	Supercardioid

Output Impedance

180 Ω

Output Configuration

Active Balanced

Sensitivity

@ 1 kHz, open circuit voltage

Cardioid	-35 dBV/Pa(18 mV)
Supercardioid	-34 dBV/Pa(21 mV)

1 Pa=94 dB SPL

Maximum SPL

1 kHz at 1% THD, 1 k Ω load

Cardioid	124 dB
Supercardioid	123 dB

Self Noise

A-weighted

Cardioid	28 dB SPL
Supercardioid	27 dB SPL

Signal-to-Noise Ratio

Ref. 94 dB SPL at 1 kHz

Cardioid	66 dB
Supercardioid	68 dB

Dynamic Range

1 k Ω load, @ 1 kHz

96 dB

Common Mode Rejection

10 Hz to 100 kHz

45 dB, minimum

Clipping Level

at 1% THD

-6 dBV (0.5 V)

Polarity

Positive sound pressure on diaphragm produces positive voltage on pin 2 relative to pin 3 of output XLR connector

Environmental Conditions

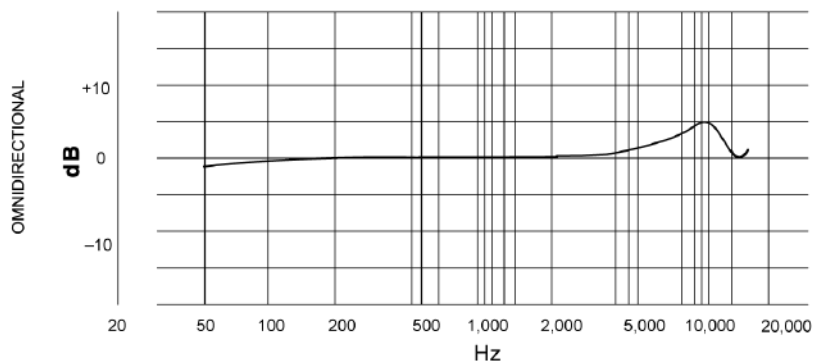
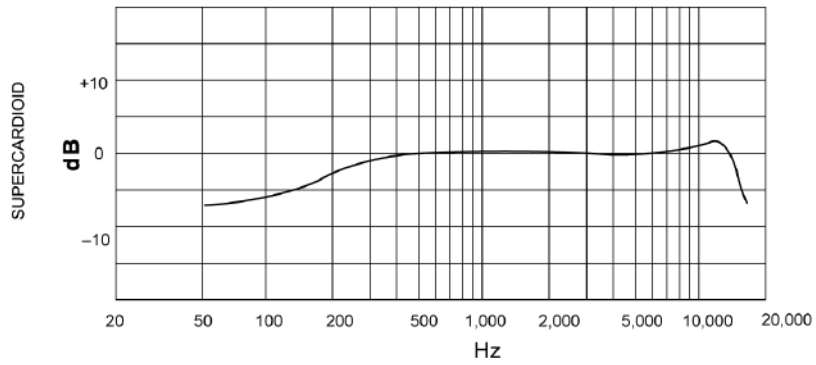
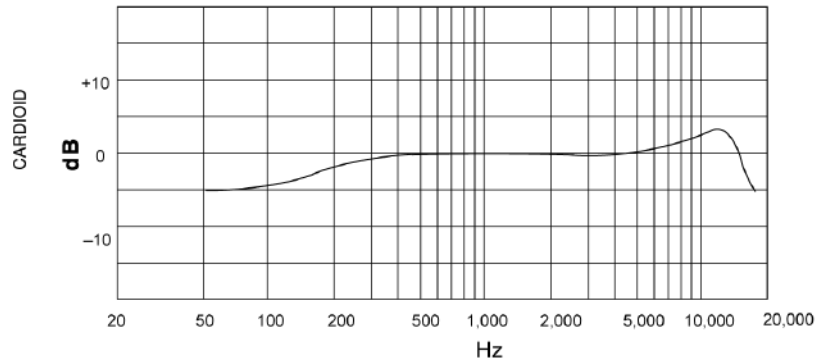
Operating Temperature	-18–57°C (0–135°F)
Storage Temperature	-29–74°C (-20–165°F)
Relative Humidity	0–95%

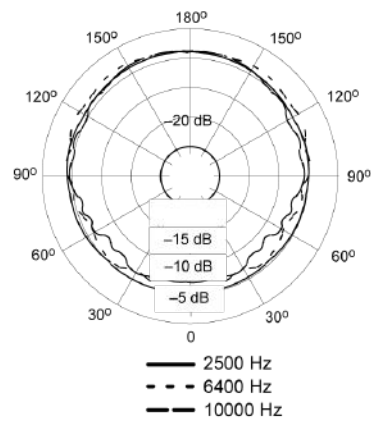
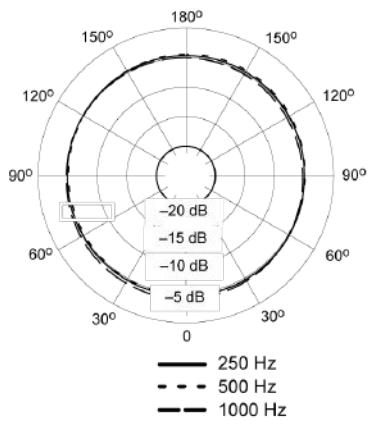
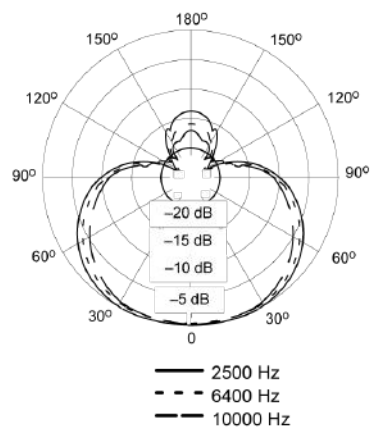
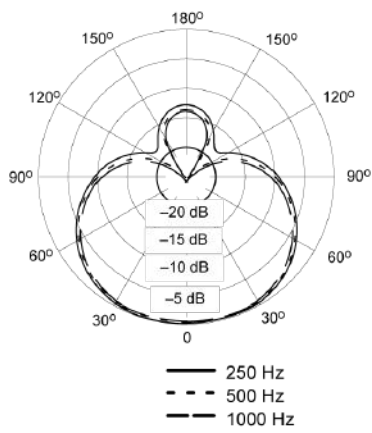
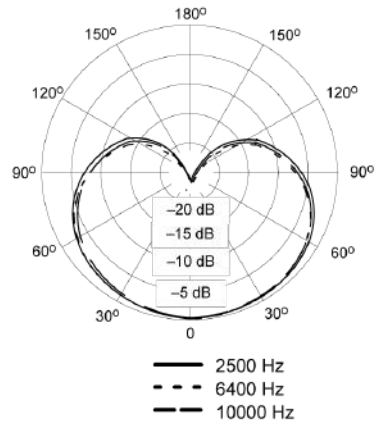
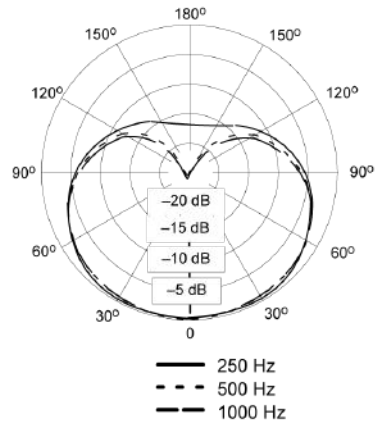
Power Requirements

11–52 V DC, 2.0 mA

Cable

3.0 m (10 ft) , attached





Certifications

Meets essential requirements of all applicable European Directives.

Eligible for CE marking.

The CE Declaration of Conformity can be obtained from Shure Incorporated or any of its European representatives. For contact information please visit www.shure.com

The CE Declaration of Conformity can be obtained from: www.shure.com/europe/compliance

Authorized European representative:

Shure Europe GmbH

Headquarters Europe, Middle East & Africa

Department: EMEA Approval

Jakob-Dieffenbacher-Str. 12

75031 Eppingen, Germany

Phone: +49-7262-92 49 0

Fax: +49-7262-92 49 11 4

Email: info@shure.de