

SHURE[®] Microflex[®]

MX100 SERIES



MX100

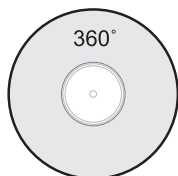
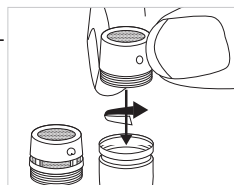
Lavalier Microphones

Shure Microflex® MX100 Series microphones are wired lavalier electret condenser microphones designed for speech and vocal pickup, general purpose sound reinforcement, recording, and remote monitoring applications. They can be clipped to neckties, lapels, and other articles of clothing. Interchangeable cartridges make it possible to easily reconfigure microphone coverage as the need arises.

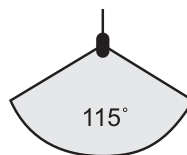
- Wide dynamic range and frequency response for accurate sound reproduction
- Interchangeable cartridges that provide a choice of polar pattern for each application
- Rotatable tie-clip that pivots in 90° increments for placement flexibility
- Dual tie-clip and belt-clip preamp
- Supplied with snap-fit foam windscreen that controls breath noise
- Balanced, transformerless output for increased immunity to noise over long cable runs
- RF filtering

Interchangeable Cartridges

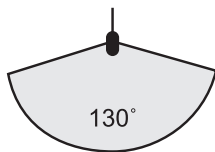
Microflex microphones use interchangeable cartridges that allow you to choose the polar pattern for different installations.



R183 Omnidirectional



R184 Supercardioid



R185 Cardioid

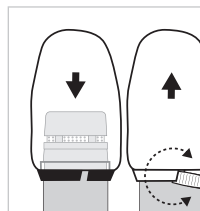
Windscreen

Foam Screen

Slip the windscreen over the top of microphone so it covers side slots. The foam windscreen provides 5 to 10 dB of "pop" protection.

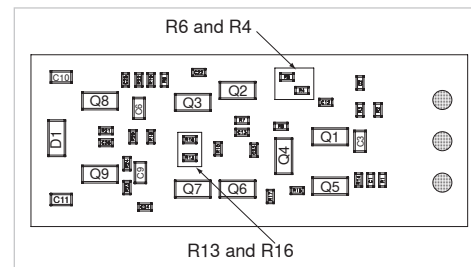
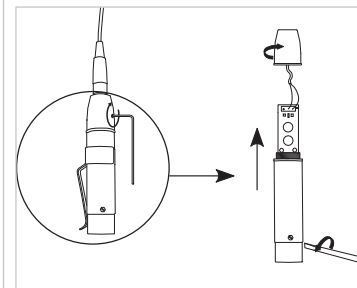
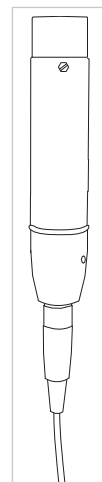
Snap-Fit Windscreen

- Snap into the groove below the cartridge.
- To remove, spread the gap with a screwdriver or thumbnail.
- Provides 30 dB of "pop" protection.



Preamp Gain

If necessary, the preamplifier gain can be reduced by 12 dB. Contact an authorized Shure service center for information.

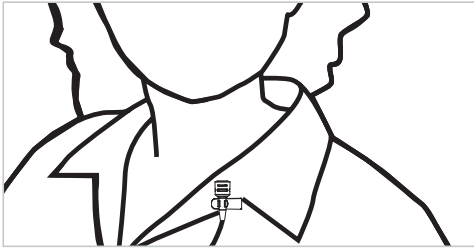


GAIN SETTING		
	12 dB	0 dB
R6	10k	0 Ω
R4	10k	20k
R16	0 Ω	10M
R13	DNP	301 Ω

RFI Filtering

Important: Microphones must be used with the RK100PK preamp to optimize RF immunity.

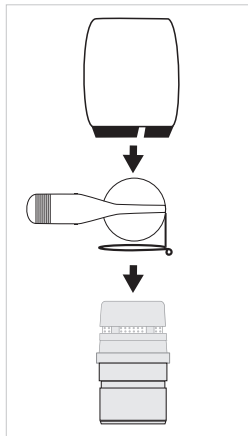
General Rules for Lavalier Microphone Use



- Attach the microphone approximately 76 mm to 152 mm (3 to 6 in.) below the neckline for the best sound.
- Do not cover the microphone with your hand or clothing.
- Use one of the supplied windscreens to minimize wind and breath noise.
- If four or more microphones will be active at any given time, use of an automatic mixer, such as the Shure SCM810 or SCM410, is recommended.

Tie Clip

Insert the top of the microphone through tie clip loop from below until tie clip loop snaps into place over the lower groove on the microphone.



Specifications

Cartridge Type

Electret Condenser

Frequency Response

50–17000 Hz

Polar Pattern

MX183:	Omnidirectional
MX185:	Cardioid
MX184:	Supercardioid

Output Impedance

EIA rated at 150 Ω (180 Ω actual)

Output Configuration

Active Balanced

Sensitivity

@ 1 kHz, open circuit voltage

Cardioid	-35 dBV/Pa(18 mV)
Omnidirectional	-28 dBV/Pa(42 mV)
Supercardioid	-34 dBV/Pa(21 mV)

1 Pa=94 dB SPL

Maximum SPL

1 kHz at 1% THD, 1 k Ω load

Cardioid	124 dB
Omnidirectional	117 dB
Supercardioid	123 dB

Equivalent Output Noise

A-weighted

Cardioid	28 dB SPL
Omnidirectional	21 dB SPL
Supercardioid	27 dB

Signal-to-Noise Ratio

Ref. 94 dB SPL at 1 kHz

Cardioid	66 dB
Omnidirectional	74 dB
Supercardioid	68 dB

Dynamic Range

1 k Ω load@ 1 kHz

96 dB

Common Mode Rejection

10 Hz to 100 kHz

45 dB minimum

Preamplifier Output Clipping Level

at 1% THD

-6 dBV (0.5 V)

Polarity

Positive sound pressure on diaphragm produces positive voltage on pin 2 relative to pin 3 of output XLR connector

Environmental Conditions

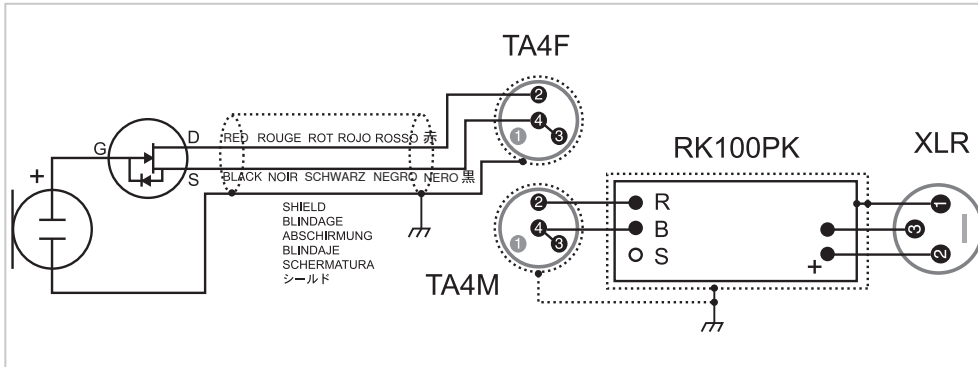
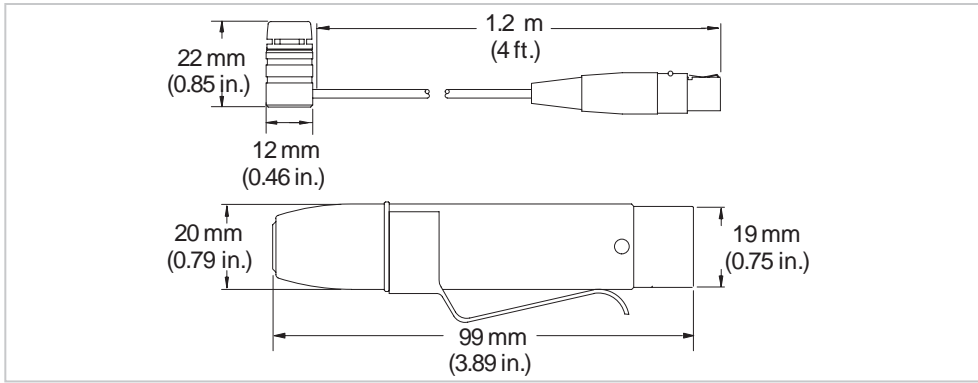
Operating Temperature	-18–57 °C (0–135 °F)
Storage Temperature	-29–74 °C (-20–165 °F)
Relative Humidity	0–95%

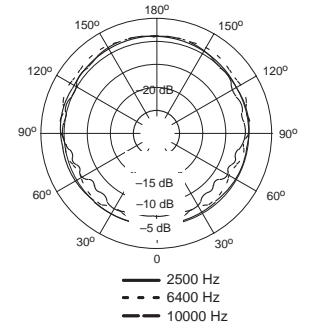
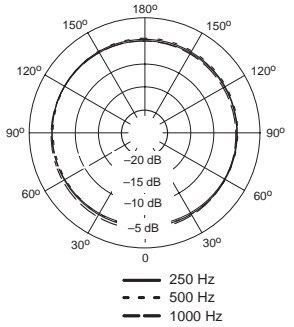
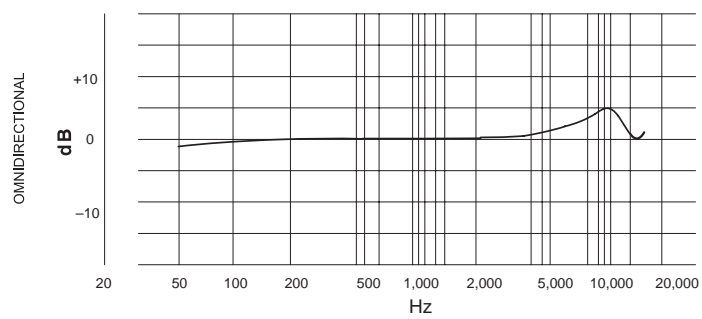
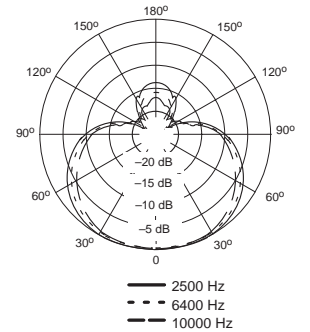
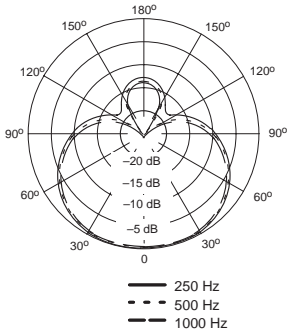
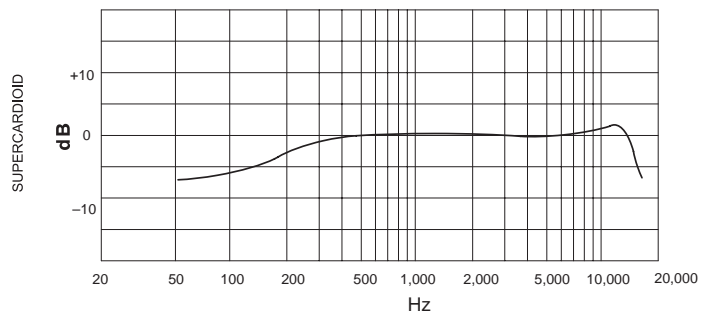
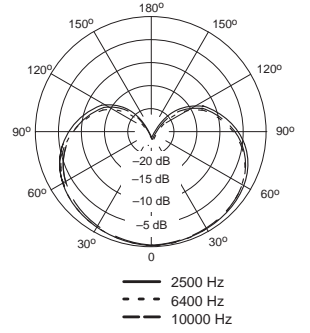
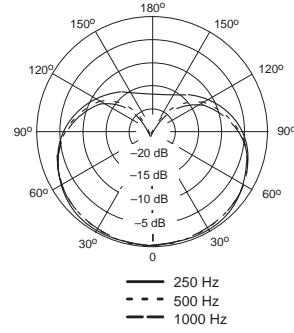
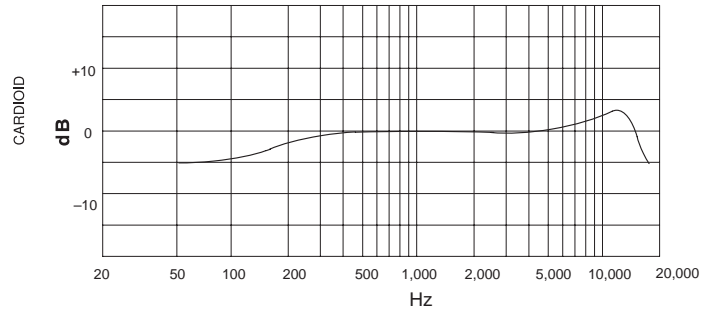
Power Requirements

11–52 V DC, 2.0 mA

Cable

1.2 m (4 ft)







**United States, Canada, Latin
America, Caribbean:**
Shure Incorporated
5800 West Touhy Avenue
Niles, IL 60714-4608 USA

Phone: +1-847-600-2000
Fax: +1-847-600-1212 (USA)
Fax: +1-847-600-6446
Email: info@shure.com

www.shure.com

Europe, Middle East, Africa:
Shure Europe GmbH
Jakob-Dieffenbacher-Str. 12,
75031 Eppingen, Germany

Phone: +49-7262-92490
Fax: +49-7262-9249114
Email: info@shure.de

Asia, Pacific:
Shure Asia Limited
22/F, 625 King's Road
North Point, Island East
Hong Kong

Phone: 852-2893-4290
Fax: 852-2893-4055
Email: info@shure.com.hk