

Product Specifications

Beta 52®A Supercardioid Dynamic Kick Drum Microphone

Overview

The Shure Beta 52A is a precision-engineered dynamic microphone with a tailored frequency response and integrated swivel-mount with XLR connector designed specifically for kick drums and other bass instruments. It provides superb attack and "punch," and delivers studio quality sound even at extremely high sound pressure levels.

Features

- Premier live performance microphone with Shure quality, ruggedness, and reliability
- Modified supercardioid pick-up pattern for maximum gain before feedback and superior rejection of off-axis sound
- Tailored frequency response specifically shaped for kick drums and bass instruments
- Neodymium magnet for greater sensitivity and higher output
- Advanced pneumatic shock mount system that minimizes transmission of mechanical noise and vibration
- Dent-resistant, steel mesh grille and enamel coated die-cast metal construction resist wear and abuse
- Studio quality performance, even at high SPL
- Built-in stand adapter with dynamic locking system and XLR connector simplifies setup and provides greater flexibility



BETA 52A

Available Models

BETA 52A	Supercardioid Swivel-mount Dynamic Kick Drum Microphone with high-output Neodymium Element
-----------------	--

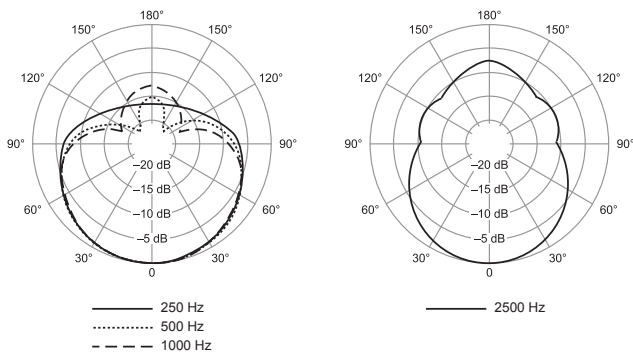
Specifications

Cartridge Type	Dynamic (moving coil)
Frequency Response	20 to 10,000 Hz
Polar Pattern	Supercardioid
Output Impedance	150 ohms
Sensitivity (at 1kHz, open circuit voltage)	-64 dBV/Pa (0.6 mV) 1 Pascal=94 dB SPL
Maximum SPL (1 kHz at 1% THD, 1k ohms load)	174 dB
Polarity	Positive pressure on diaphragm produces positive voltage on pin 2 with respect to pin 3
Weight	Net: 0.605 kg (1.35 lbs)
Connector	Three-pin professional audio (XLR), male

Furnished Accessories

95A2398	Storage Bag	95A2050	5/8" to 3/8" (Euro) Thread Adapter
----------------	-------------	----------------	------------------------------------

Polar Pattern



Frequency Response

