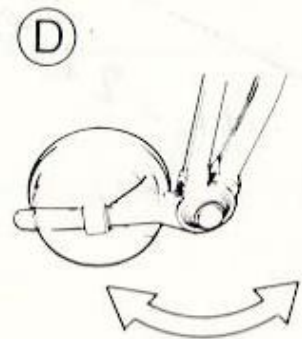
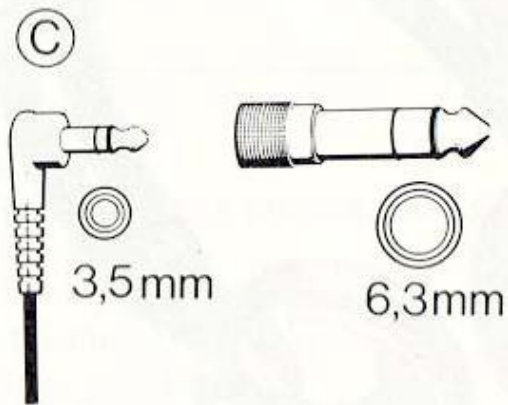
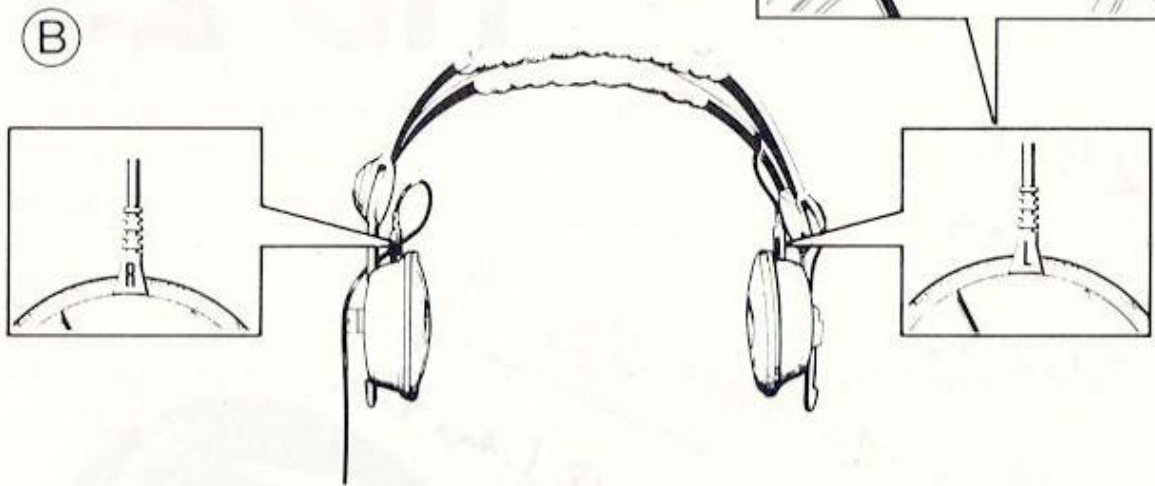
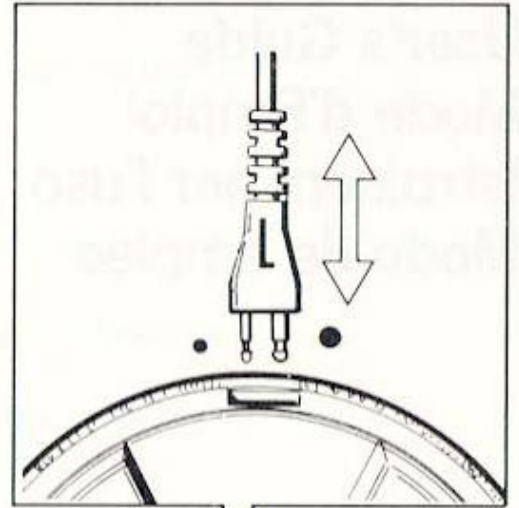
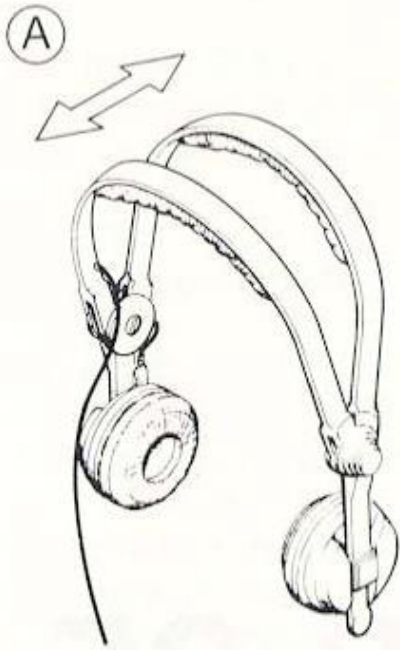


User's Guide

HD 25





Closed, dynamic headphone for audio sources which must be monitored at high volume.

Features:

- High sensitivity
- High damping of environmental noise
- Light weight
- Good wearing comfort due to split-headband
- Single-sided cable run
- Sturdy, pluggable cable

USE

- Ⓐ Adjusting the headband
- Ⓑ Wearing the headphone: R = right; L = left
- Ⓒ Connectors
- Ⓓ One-ear listening

SERVICE

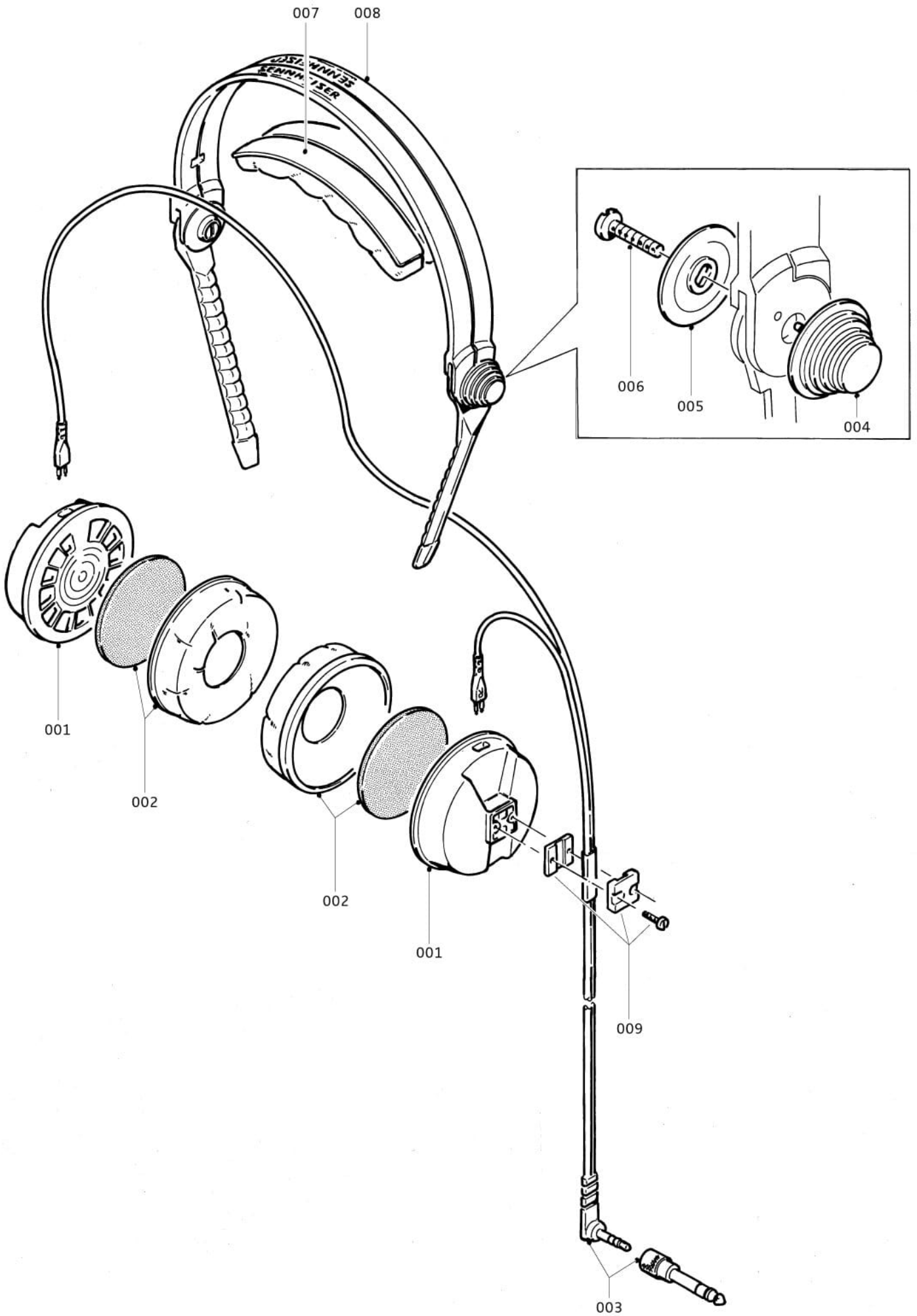
Spare parts: Ear pads, one pair (part-no. 40179); headphone system (part-no. 40178); connecting cable (part-no. 40180).

Please note: The plug pins – see also fig. Ⓑ – have different diameters. If plugged in the wrong way round you may deform the pins!

TECHNICAL DATA

Frequency response	30 to 16 000 Hz
Acoustic principle	dynamic, closed
Nominal impedance	70 Ohm
Sound pressure level	approx. 105 dB
Max. sensitivity	120 dB
Power handling capability as per DIN 45 580	0.1 W
THD (as per DIN 45 500)	0.5 %
Coupling to the ears	on the ears
Headband pressure	approx. 2.5 N
Weight (without cable)	approx. 140 g
Plug	3.5 mm Ø angled stereo jack / 6.3 mm Ø adapter
Cable length	approx. 1.5 m

Subject to alterations.



1 pair foam discs for ear pads



Capsule rest fixed



Capsule rest turnable



HD 25 - BLACK VELOUR EAR PADS



002

HD 25 - BLACK EAR PADS



002

Cable with angled plug, 1,5m



003

Washer



005

Padding



007

CABLE CLAMP SET for HD25



009

[!] Attention! Due to the complexity of the repair, some of the spare parts shown can only be replaced by specialist workshops. In this case, please contact your nearest Sennheiser Service Center.

SENNHEISER ELECTRONIC KG
D-3002 WEDEMARK
TELEFON 05130/600-0
TELEX 924623
TELEFAX 05130/6312

Printed in Germany Publ. 6/89 37983 / A 02