



Evolution Wireless Digital EW-D 835-S SET | Handheld Set



Versatile and feature-rich digital wireless system for those who sing, speak or play instruments that allows for seamless product pairing and management via the EW-D Smart Assist App.

Receive state-of-the-art live sound featuring Sennheiser's renowned e 835 capsule on a lightweight handheld transmitter with integrated mute switch.

FEATURES

- Digital wireless eliminates noise, interference and static bursts
- UHF transmission greatly enhances range, reliability and scalability
- Mobile App streamlines setup and operation and eliminates complicated menus
- Automated setup creates reliable connections with minimal time and effort
- Up to 2,240 selectable frequencies
- Transmission range: up to 100 m in an ideal environment (without obstacles)
- Lithium Ion battery pack delivers up to 12 hours of operation (up to 8 hours of operation with AA batteries)
- 56 MHz Bandwidth will allow for up to 90 channels
- Preserves every detail of even the most dynamic performances with 134 dB transmitter dynamic range

DELIVERY INCLUDES

- EW-D EM rack receiver
- EW-D SKM-S handheld transmitter
- MMD 835 microphone module
- MZQ 1 microphone clamp
- 2 rod antennas
- power supply with country adapters
- rackmount set
- 4 rubber feet
- quick guide
- safety guide
- manufacturer declaration sheet



MMD 835 BK

Microphone Head



Microphone module from the renowned evolution 800 series with consistent pick-up pattern (cardioid) and powerful sound for a wide variety of applications. Compatible with all handheld transmitters from the ew G3, ew G4, D1, AVX, SpeechLine Digital Wireless and 2000 series.

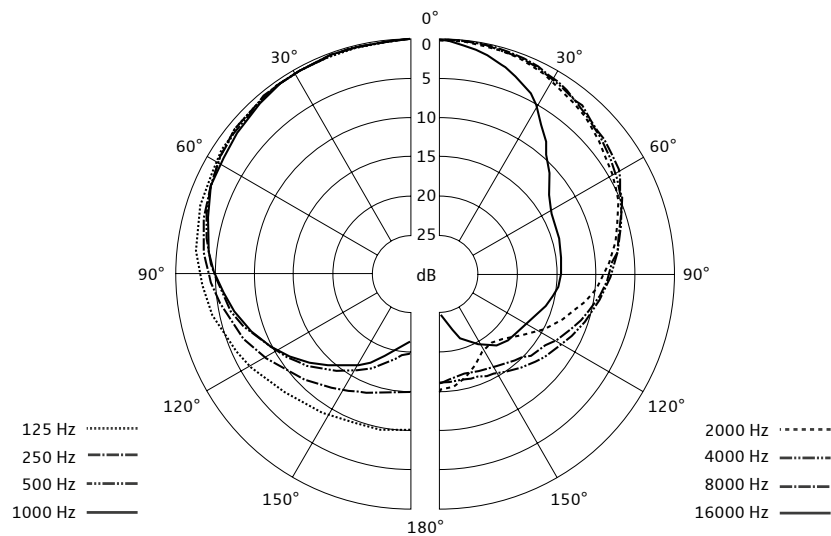
PRODUCT VARIANTS

MMD 835-1 BK	Art. no. 502575
---------------------	-----------------

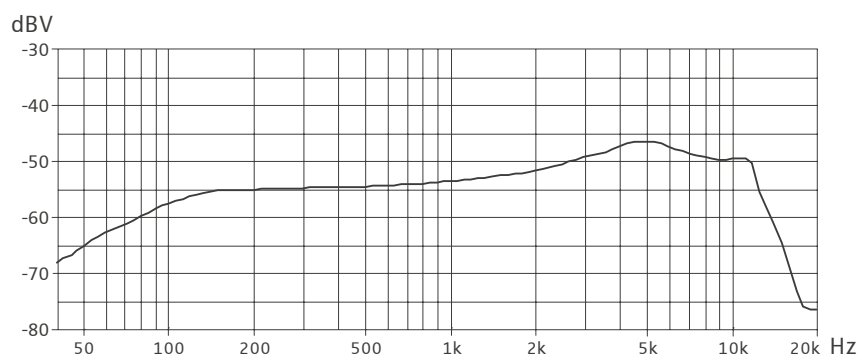
SPECIFICATIONS

Transducer principle	dynamic
Sensitivity	2.1 mV/Pa
Sound pressure level	154 dB SPL
Pick-up pattern	cardioid

POLAR PATTERN



FREQUENCY RESPONSE





Evolution Wireless Digital

EW-D 835-S SET | Handheld Set

PRODUCT VARIANTS

EW-D 835-S SET (Q1-6)	470.2 - 526 MHz	Art. no. 508750
EW-D 835-S SET (R1-6)	520 - 576 MHz	Art. no. 508751
EW-D 835-S SET (R4-9)	552 - 607.8 MHz	Art. no. 508752
EW-D 835-S SET (S1-7)	606.2 - 662 MHz	Art. no. 508753
EW-D 835-S SET (S4-7)	630 - 662 MHz	Art. no. 508754
EW-D 835-S SET (S7-10)	662 - 693.8 MHz	Art. no. 508755
EW-D 835-S SET (U1/5)	823.2 - 831.8 MHz & 863.2 - 864.8 MHz	Art. no. 508756
EW-D 835-S SET (V3-4)	925.2 - 937.3 MHz	Art. no. 508758
EW-D 835-S SET (Y1-3)	1785.2 - 1799.8 MHz	Art. no. 508759

ACCESSORIES

EW-D ASA (Q-R-S)	Active Antenna Splitter	470 - 694 MHz	Art. no. 508879
EW-D ASA (T-U-V-W)	Active Antenna Splitter	694 - 1075 MHz	Art. no. 508880
EW-D ASA (X-Y)	Active Antenna Splitter	1350 - 1805 MHz	Art. no. 508881
EW-D ASA CN/ANZ (Q-R-S)	Active Antenna Splitter	470 - 694 MHz	Art. no. 508998
EW-D AB (Q)	Antenna Booster	470 - 550 MHz	Art. no. 508873
EW-D AB (R)	Antenna Booster	520 - 608 MHz	Art. no. 508874
EW-D AB (S)	Antenna Booster	606 - 694 MHz	Art. no. 508875
EW-D AB (U)	Antenna Booster	823 - 865 MHz	Art. no. 508876
EW-D AB (V)	Antenna Booster	902 - 960 MHz	Art. no. 508877
EW-D AB (Y)	Antenna Booster	1785 - 1805 MHz	Art. no. 508878
ADP UHF (470 - 1075 MHz)	Passive directional antenna	470 - 1075 MHz	Art. no. 508863
BA 70	Rechargeable battery pack for SK and SKM-S		Art. no. 508860
L 70 USB	Charger for BA 70 rechargeable battery pack		Art. no. 508861
EW-D CHARGING SET	Set of L 70 USB charger and 2 BA 70 rechargeable battery packs		Art. no. 508862
EW-D COLOR CODING SET	Colored labels for wireless link identification for EM, SKM-S, SK		Art. no. 508989
EW-D SK COLOR CODING	Colored labels for wireless link identification for SK		Art. no. 508990
EW-D SKM COLOR CODING	Colored labels for wireless link identification for SKM-S		Art. no. 508991
EW-D EM COLOR CODING	Colored labels for wireless link identification for EM		Art. no. 508992



Evolution Wireless Digital

EW-D 835-S SET | Handheld Set

MICROPHONE COMPATIBILITY

Microphone modules compatible with the EW-D SKM-S handheld transmitter

MMD 835-1	Dynamic microphone module with cardioid polar pattern
MMD 845-1	Dynamic microphone module with supercardioid polar pattern
MME 865-1	Pre-polarized condenser microphone module with supercardioid polar pattern
MMD 935-1	Dynamic microphone module with cardioid polar pattern
MMD 945-1	Dynamic microphone module with supercardioid polar pattern
MMK 965-1	Condenser microphone module with switchable cardioid and supercardioid polar pattern
MMD 42-1	Dynamic microphone module with omni-directional polar pattern
Neumann KK 204	Condenser microphone module with cardioid polar pattern
Neumann KK 205	Condenser microphone module with supercardioid polar pattern
MM 435	Dynamic microphone module with cardioid polar pattern
MM 445	Dynamic microphone module with supercardioid polar pattern
ME 9002	Pre-polarized condenser microphone module with omni-directional polar pattern
ME 9004	Pre-polarized condenser microphone module with cardioid polar pattern
ME 9005	Pre-polarized condenser microphone module with supercardioid polar pattern



Evolution Wireless Digital

EW-D 835-S SET | Handheld Set

SPECIFICATIONS

System	
Audio link frequency ranges	Q1-6 470.2 - 526 MHz R1-6 520 - 576 MHz R4-9 552 - 607.8 MHz S1-7 606.2 - 662 MHz S4-7 630 - 662 MHz S7-10 662 - 693.8 MHz U1/5 823.2 - 831.8 MHz & 863.2 - 864.8 MHz V3-4 925.2 - 937.3 MHz Y1-3 1785.2 - 1799.8 MHz
Bluetooth® Low Energy (BLE) frequency range	2402 - 2480 MHz
Audio frequency response	20 Hz - 20 kHz (-3 dB) @ 3 dBfs
Audio THD	≤ -60 dB for 1 kHz @ -3 dBfs input level
Dynamic range	134 dB
System latency	1.9 ms
Operating temperature	-10 °C - +55 °C (14 °F - 131 °F)
Relative humidity	5 - 95 % (non-condensing)

EW-D EM (Rack Receiver)	
Input voltage	11 - 13 V ~
Input current	≤ 300 mA
Transmit power (radiated)	BLE: max. 10 mW EIRP
Audio output power	18 dBu max.
Dimensions	212 x 44 x 189 mm (8.35" x 1.73" x 7.44")
Weight (without antennas and power supply)	approx. 1000 g (2.2 lbs)

Set in packaging	
Dimensions	405 x 350 x 73 mm (15.91" x 13.78" x 2.87")
Weight	3.0 kg (6.61 lbs)

EW-D SKM-S (Handheld Transmitter)	
Input voltage	2.0 - 4.35 V
Input current	< 300 mA
Power supply	2 AA batteries 1.5 V (alkali manganese) or BA 70 rechargeable battery pack
Occupied bandwidth	200 kHz
Transmit power (radiated)	Audio link: 10 mW ERP (Range Y1-3: 12 mW ERP) BLE: max. 10 mW EIRP
Dimensions (ø x l) (incl. MMD 835 microphone module)	50 x 268 mm (1.97" x 10.55")
(without microphone module)	40 x 200 mm (1.57" x 7.87")
Weight (without batteries) (incl. MMD 835 microphone module)	approx. 304 g (0.67 lbs)
(without microphone module)	approx. 195 g (7.14 lbs)

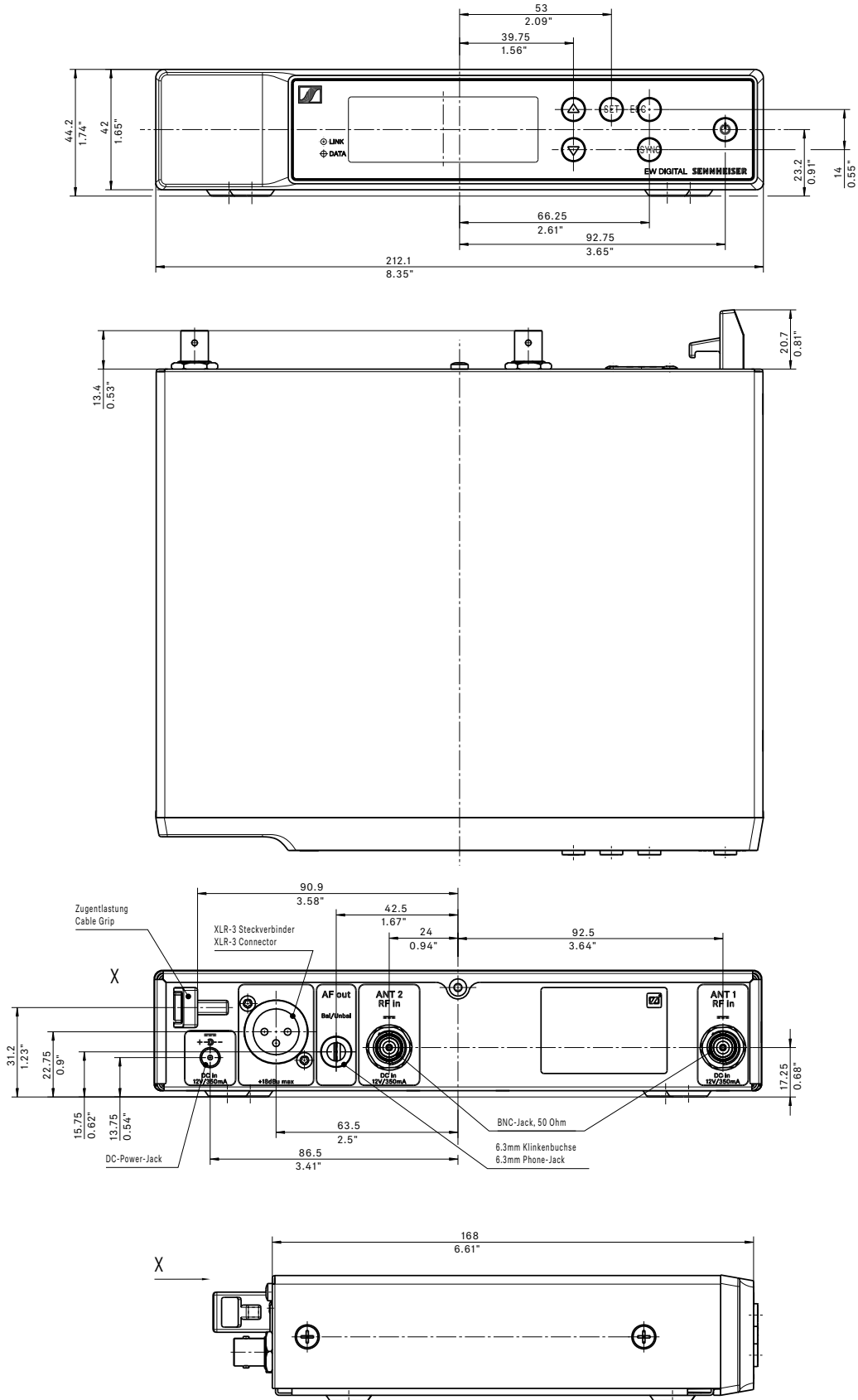
MMD 835 (Microphone Module)	
Transducer principle	dynamic
Sensitivity	2.1 mV/Pa
Sound pressure level	154 dB SPL
Pick-up pattern	cardioid



Evolution Wireless Digital EW-D 835-S SET | Handheld Set

DIMENSIONS

EW-D EM

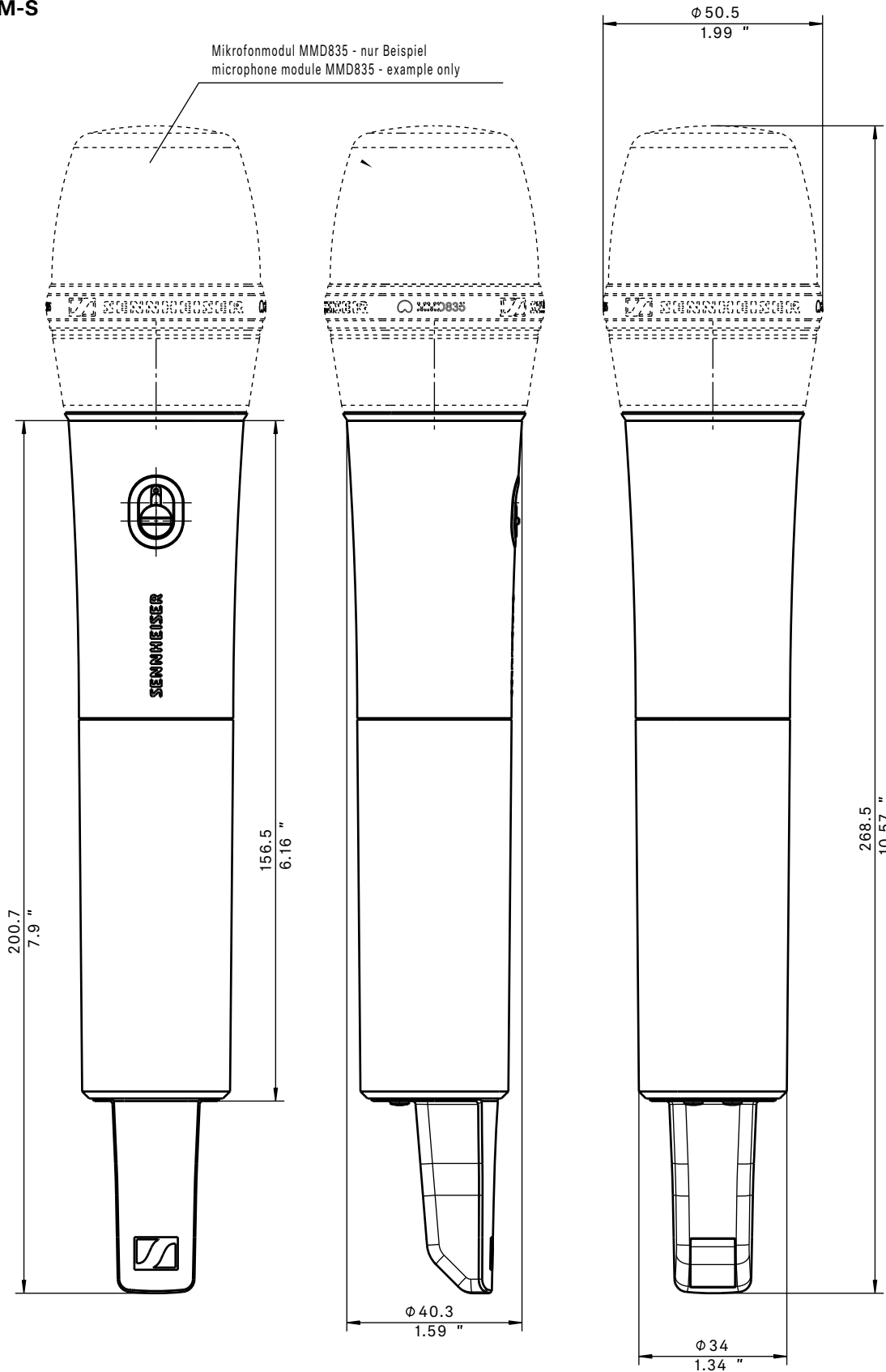




Evolution Wireless Digital EW-D 835-S SET | Handheld Set

DIMENSIONS

EW-D SKM-S





Evolution Wireless Digital

EW-D 835-S SET | Handheld Set

ARCHITECT'S SPECIFICATION

EW-D EM rack receiver

The stationary receiver with switching diversity technology shall be for use with a companion transmitter as part of a digital wireless RF transmission system.

The receiver shall operate within ten UHF frequency ranges, with a switching bandwidth of up to 56 MHz: 470.2 – 526 MHz, 520 – 576 MHz, 552 – 607.8 MHz, 606.2 – 662 MHz, 630 – 662 MHz, 662 – 693.8 MHz, 823.2 – 831.8 MHz, 863.2 – 846.8 MHz, 925.2 – 937.3 MHz, 1785.2 – 1799.8 MHz; selectable frequencies shall be up to 2,240.

The receiver shall feature Bluetooth® Low Energy (BLE) at a frequency range between 2402 and 2480 MHz for remote controlling the devices via a control App for iOS and Android.

The audio frequency response shall be between 20 Hz and 20 kHz (-3 dB) @ 3 dBfs. Audio total harmonic distortion (THD) shall be ≤ -60 dB for 1 kHz @ -3 dBfs input level. Dynamic range shall be 134 dB.

The receiver shall be menu-driven with a backlit LC display showing the current frequency, channel number, metering of RF level, metering of AF level, lock status, muting function, mute lock status, antenna switching diversity, app connection, gain, audio output level, menu and battery status of the associated transmitter. An auto-lock feature shall be provided to prevent settings from being accidentally altered.

The receiver shall feature a balanced XLR-3M audio output with a maximum output of +18 dBu along with an unbalanced ¼" (6.3 mm) audio output with a maximum output of +12 dBu. Two BNC-type input sockets shall be provided for connecting the antennas.

The receiver shall operate on 12 V power supplied from the power supply unit or from a Sennheiser EW-D ASA antenna splitter. Power consumption shall be ≤ 300 mA. The receiver shall have a rugged metal housing; dimensions shall be approximately 212 x 44 x 189 mm (8.35" x 1.73" x 7.44"). Weight shall be approximately 1000 grams (2.2 lbs) without antennas and power supply. Operating temperature shall range from -10 °C to +55 °C (+14 °F to +131 °F).

The receiver shall be the Sennheiser EW-D EM.

EW-D SKM-S handheld transmitter

The handheld transmitter shall be for use with a companion receiver as part of a digital wireless RF transmission system.

The handheld transmitter shall operate within ten UHF frequency ranges, with a switching bandwidth of up to 56 MHz: 470.2 – 526 MHz, 520 – 576 MHz, 552 – 607.8 MHz, 606.2 – 662 MHz, 630 – 662 MHz, 662 – 693.8 MHz, 823.2 – 831.8 MHz, 863.2 – 846.8 MHz, 925.2 – 937.3 MHz, 1785.2 – 1799.8 MHz; selectable frequencies shall be up to 2,240.

The audio frequency response shall be between 20 Hz and 20 kHz (-3 dB) @ 3 dBfs. Audio total harmonic distortion (THD) shall be ≤ -60 dB for 1 kHz @ -3 dBfs input level. Dynamic range shall be 134 dB.

A programmable mute switch shall be provided to mute or unmute the audio signal.

The handheld transmitter's parameters shall be configurable in the associated receiver's menu and synchronized with the handheld transmitter via Bluetooth Low Energy (BLE).

Power shall be supplied to the handheld transmitter by two 1.5 V AA size batteries or by one Sennheiser BA 70 rechargeable battery pack. Operating time shall be typically 12 hours with a battery pack and up to 8 hours with AA batteries.

Occupied bandwidth shall be 200 kHz. Transmit power (radiated) shall be 10 mW ERP (1785.2 – 1799.8 MHz Range: 12 mW ERP).

The handheld transmitter shall have a rugged metal housing; dimensions shall be approximately 50 mm (1.97") in diameter and 268 mm (10.55") in length including a Sennheiser MMD 835 microphone module. Weight including MMD 835 microphone module shall be approximately 304 grams (0.67 lbs). Operating temperature shall range from -10 °C to +55 °C (+14 °F to +131 °F).

The handheld transmitter shall be the Sennheiser EW-D SKM-S.

The microphone head suitable for use with the handheld transmitter shall be a dynamic type with a cardioid pick-up pattern and a sensitivity of 2.1 mV/Pa. Maximum sound pressure level shall be 154 dB SPL.

The microphone head shall be the Sennheiser MMD 835.