



evolution wired e 865 | e 865-S



The e 865 is a fully professional vocal microphone utilizing the very best in condenser microphone technology to achieve new standards of quality and sound. An extended dynamic range and a super-smooth frequency response deliver an outstanding signal quality with excellent vocal projection and the lowest possible distortion.

The extended high-frequency response combined with the super-cardioid pick-up pattern enables the e 865 to handle the highest vocal levels without feedback. The rugged metal construction protects the microphone in the most rigorous conditions. Due to its phantom powering capability, the e 865 is especially suitable for use with professional systems. The e 865-S variant features a silent ON/OFF switch.

DELIVERY INCLUDES

- e 865 or e 865-S
- pouch
- MZQ 800 microphone clamp
- quick guide
- safety guide

FEATURES

- Superb transient response
- Handles high levels of sound
- Rugged, robust all-metal housing
- Excellent feedback rejection
- Very good rejection of handling noise
- Very high sound pressure handling capability
- Steel inlet basket

SPECIFICATIONS

Transducer principle	pre-polarized condenser microphone
Frequency response	40 - 20,000 Hz
Pick-up pattern	super-cardioid
Sensitivity (free field, at 1 kHz)	3 mV/Pa
Nominal impedance (at 1 kHz)	200 Ω (balanced)
Min. terminating impedance	1 k Ω
Max. sound pressure level (at 1 kHz)	150 dB
Phantom powering	12 - 48 V
Connector	XLR-3
Temperature range	0 °C to +40 °C
Dimensions	\varnothing 47 x 193 mm
Weight	311 g

PRODUCT VARIANTS

e 865	Art. no. 004846
e 865-S	Art. no. 004847

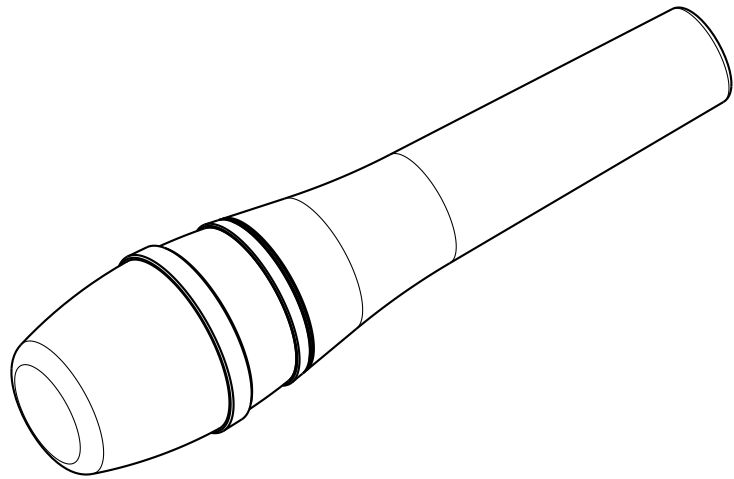
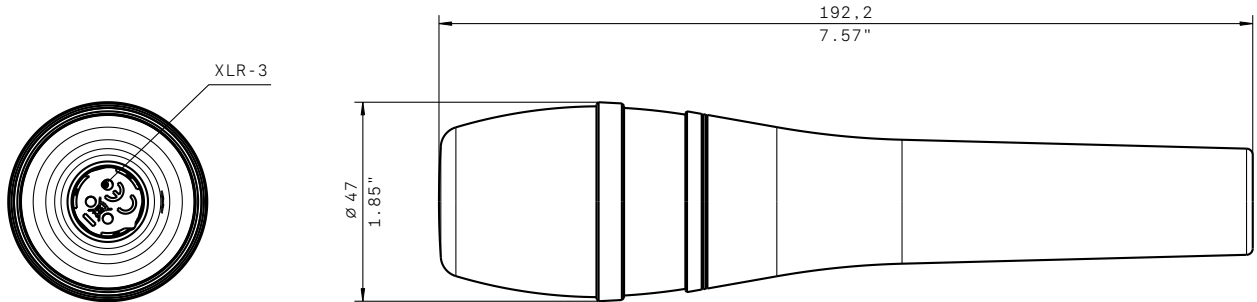
ACCESSORIES

MZQ 800	Microphone clamp	Art. no. 576183
MZW 4032-A	Foam windshield, anthracite	Art. no. 002978
MZW 4032-C	Foam windshield, blue	Art. no. 002980

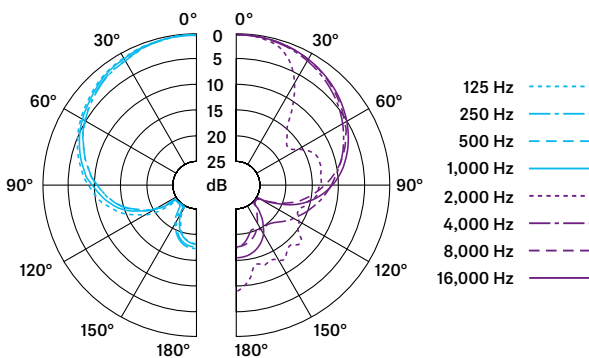


evolution wired e 865 | e 865-S

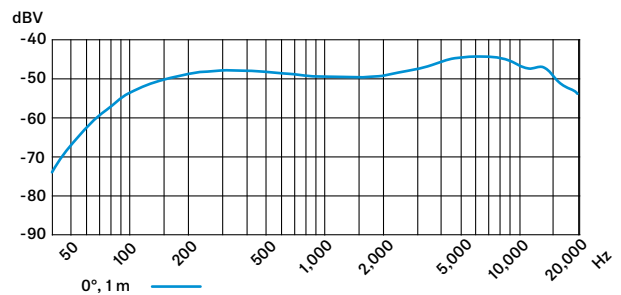
DIMENSIONS



POLAR PATTERN



FREQUENCY RESPONSE



ARCHITECT'S SPECIFICATION

The microphone shall be a super-cardioid pre-polarized condenser designed for professional vocal use. It shall have a rugged all-metal housing. The frequency response shall be 40 Hz – 20,000 Hz and the sensitivity (free field, no load) shall be 3 mV/Pa at 1 kHz. Nominal impedance shall be 200 Ω, with a min. terminating impedance of 1 kΩ. Maximum SPL shall be 150 dB. The microphone shall operate on 12 – 52 V phantom power and shall provide a 3-pin XLR connector. Dimensions shall be 47 x 193 mm (1.85" x 7.60"). Weight without cable shall be 311 grams (10.97 oz).

The microphone shall be the Sennheiser e 865, the variant with a silent ON/OFF switch shall be the Sennheiser e 865-S.