

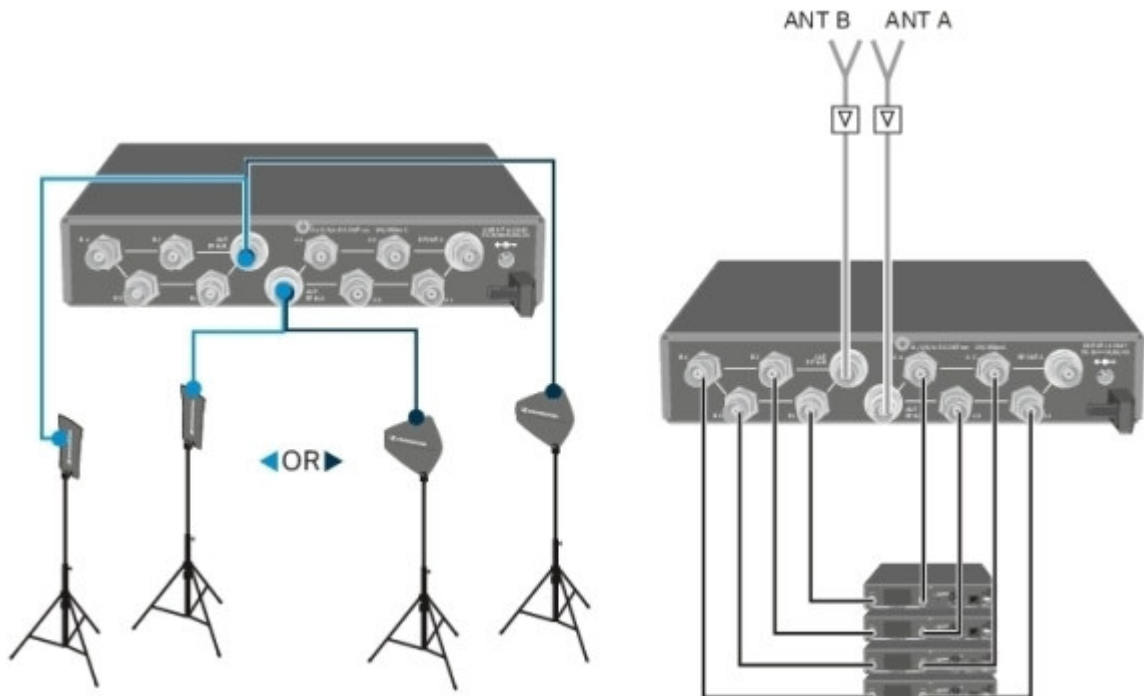
ASA 214



The ASA 214 active antenna splitter is built in a full metal housing and ships with 8 BNC cables included. The splitter runs up to 4 receivers of the ew series with two antennas. The UHF-Version includes the NT 1-1 power supply with EU, UK and US adapters, while the ASA 214-1G8 includes the NT 1-1 with EU, UK and AU adapters.

Key Features

- Compatible with G4 and G3 systems
- Power supply via BNC cables for EM 300-500 / EM 100 receivers. No additional power supply needed
- Up to 4 true diversity receivers can be used with two external antennas
- Full metal housing





ASA 214

Specifications

ASA 214 antenna splitter	2 × 1:4 or 1 × 1:8, active
Connection cable	8 pieces, 50 cm, BNC
Frequency range	
ASA 214-UHF:	470 – 870 MHz at –3 dB
ASA 214-1G8:	1785 – 1805 MHz at –3 dB
Amplification	
In A – Out A	0 ± 1 dB
In A – Out A1 ... A4	0 ± 1 dB
In B – Out B1 ... B4	0 ± 1 dB
IIP3	20 dBm min. 23 dBm, typical
Impedance	50 Ω
Reflection loss	10 dB (all RF outputs)
Operating voltage	13.8 V DC (with power supply unit NT 1-1)
Power consumption	ASA 1: 245 mA ASA 1-1G8: 350 mA
Total power consumption	max. 2.0 A with 4 receivers and 2 × 2 antenna amplifiers per antenna input
Antenna amplifier power supply at ANT RF IN A and ANT RF IN B	12 V, 130 mA
Receiver power supply at A1 to A4	12 V (protected against reverse supply), 350 mA
Relative air humidity	5 to 95%
Temperature range	
Operation:	-10 °C to +55 °C (14 °F to 131 °F)
Storage:	-20 °C to +70 °C (-4 °F to 158 °F)
Dimensions	approx. 212 x 168 x 43 mm
Weight	approx. 1090 g



Block diagram

