

# EMI5/EMI5T

Ultra-compact trapezoid enclosure

## features

- ▶ Ultra-compact trapezoid enclosure
- ▶ ICT™ Technology
- ▶ Vertical or horizontal orientation
- ▶ High SPL capability

## applications

- ▶ Background music for clubs and bars
- ▶ Theatre delay/in-fill
- ▶ AV presentations



architectural

The remarkable, miniature EMI5 full-range system features twin 5" drivers in a two-way configuration utilising ICT™ (Inductively Coupled Transducer) technology. Energising the HF diaphragm by induction is the effective alternative to a voice coil, avoiding the burn-out which commonly causes failure in other background music systems. Designed for background use, complementing an intimate restaurant atmosphere, for example, the unusually high output of the EMI5 is also frequently used to good effect for infill in theatres, clubs and bars.

Century Point, Halifax Road, Cressex Business Park,  
High Wycombe, Buckinghamshire HP12 3SL, England.  
Telephone: +44 (0)1494 535312 Facsimile: +44 (0)1494 438669  
E-mail: [info@martin-audio.com](mailto:info@martin-audio.com)  
All information is Copyright © 2003 Martin Audio Ltd.

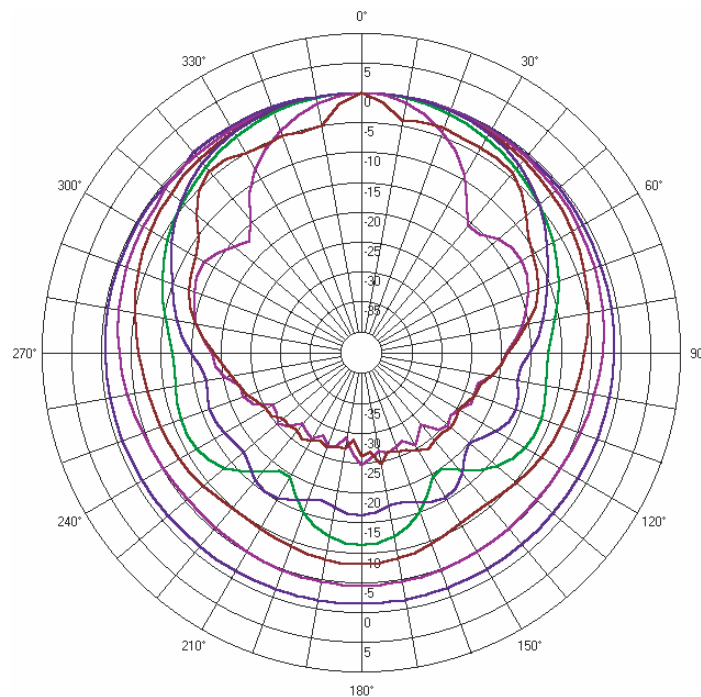
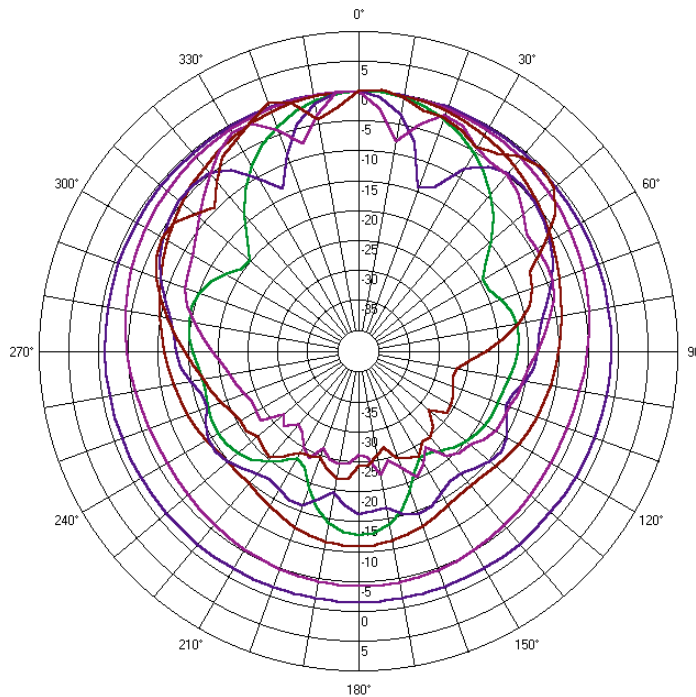


# EMI5/EMI5T

Ultra-compact trapezoid enclosure

polar plots

architectural



Century Point, Halifax Road, Cressex Business Park,  
High Wycombe, Buckinghamshire HP12 3SL, England.  
Telephone: +44 (0)1494 535312 Facsimile: +44 (0)1494 438669  
E-mail: [info@martin-audio.com](mailto:info@martin-audio.com)  
All information is Copyright © 2003 Martin Audio Ltd.



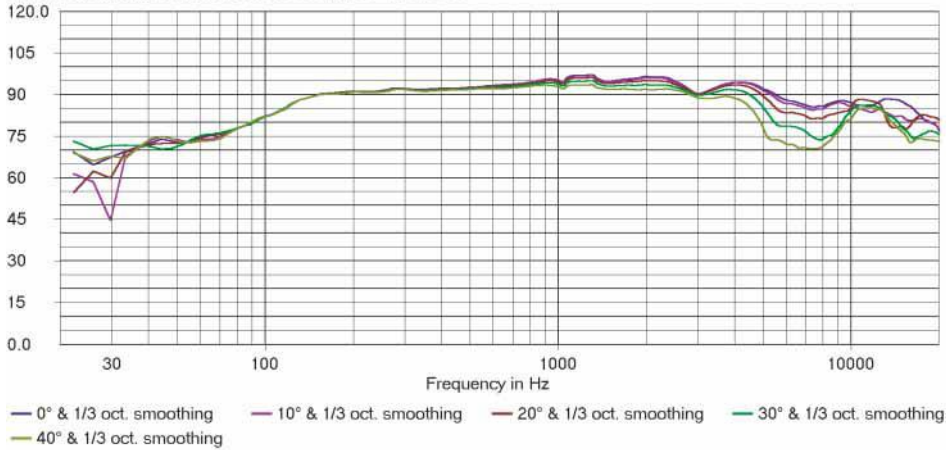
# EMI 5/EMI 5T

Ultra-compact trapezoid enclosure

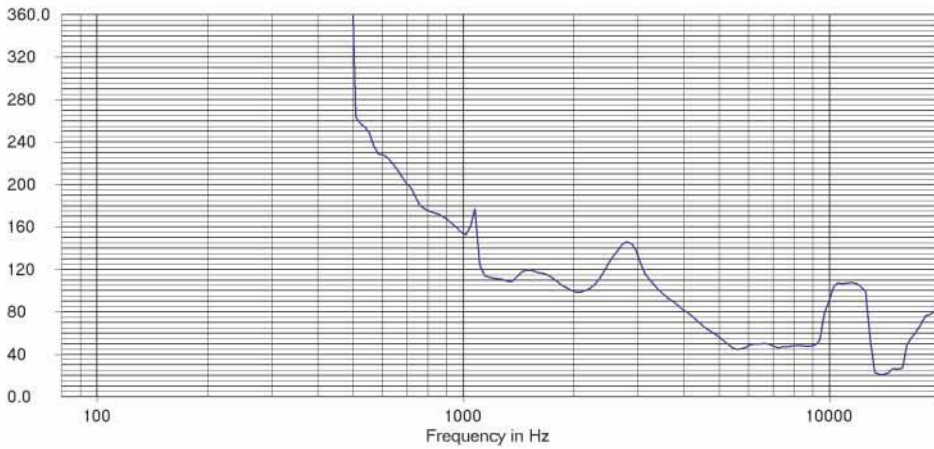
frequency responses

architectural

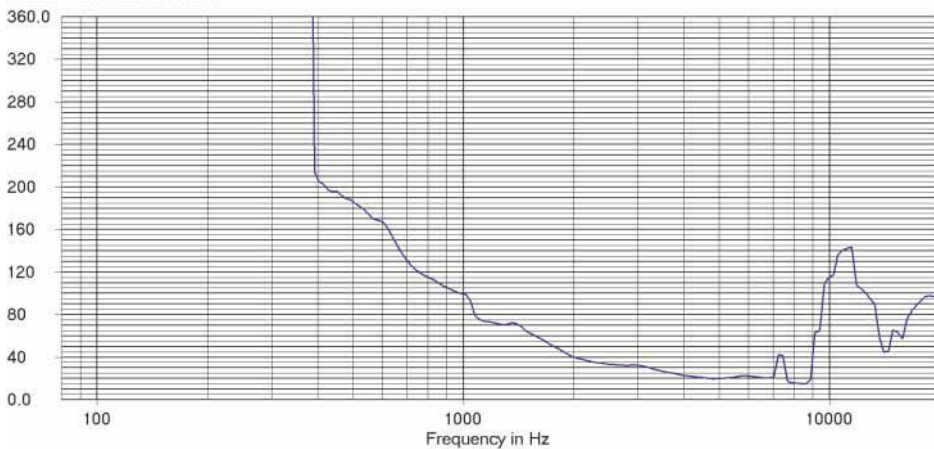
EMI5 Horizontal Magnitude in dB SPL/2.83V at 1 meter



EMI5 Horizontal Beamwidth



EMI5 Vertical Beamwidth



Century Point, Halifax Road, Cressex Business Park,  
High Wycombe, Buckinghamshire HP12 3SL, England.  
Telephone: +44 (0)1494 535312 Facsimile: +44 (0)1494 438669  
E-mail: [info@martin-audio.com](mailto:info@martin-audio.com)  
All information is Copyright © 2003 Martin Audio Ltd.

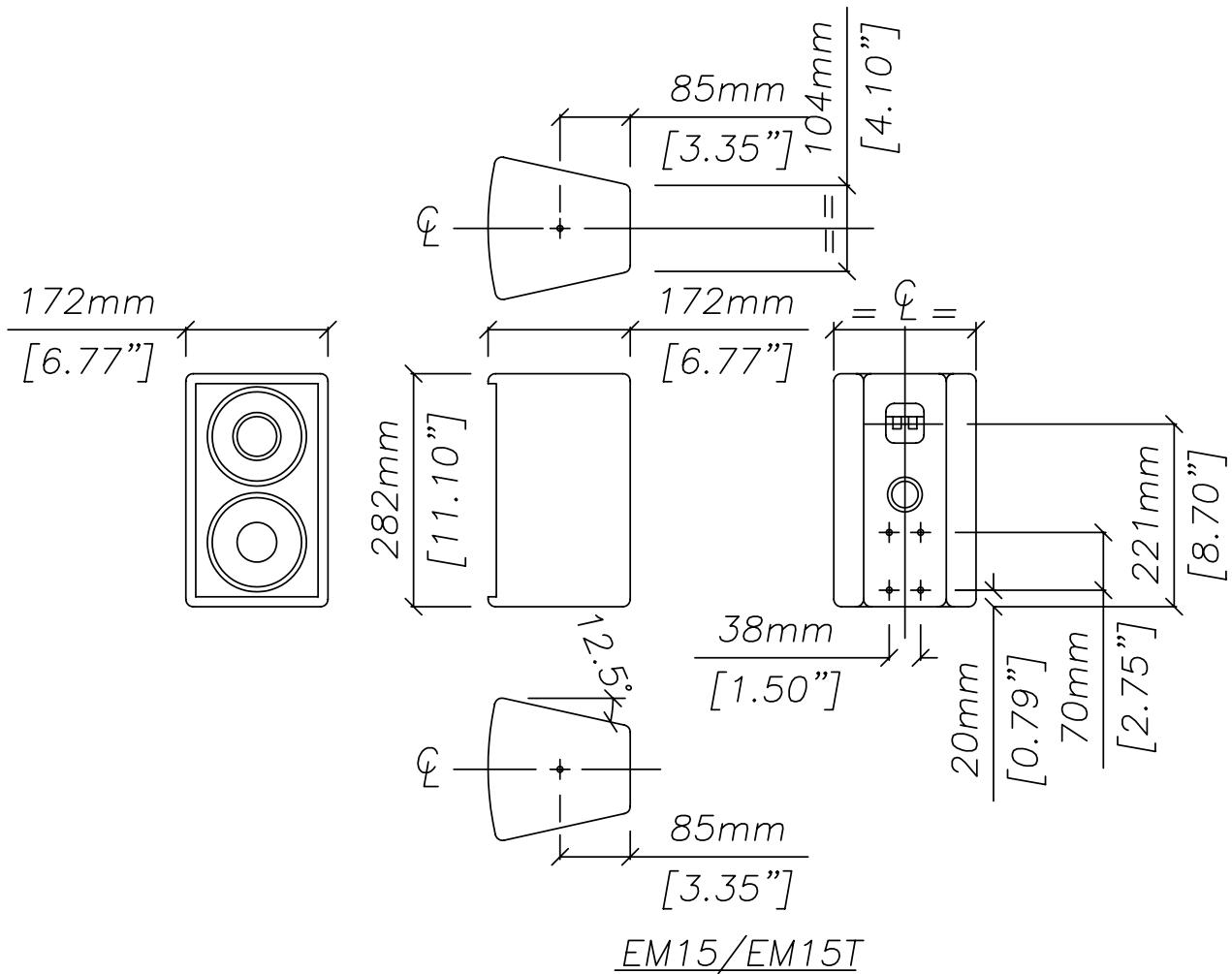


# EM15/EM15T

Ultra-compact trapezoid enclosure

overall dimensions

architectural



Century Point, Halifax Road, Cressex Business Park,  
High Wycombe, Buckinghamshire HP12 3SL, England.  
Telephone: +44 (0)1494 535312 Facsimile: +44 (0)1494 438669  
E-mail: [info@martin-audio.com](mailto:info@martin-audio.com)  
All information is Copyright © 2003 Martin Audio Ltd.



# EMI5/EMI5T

Ultra-compact trapezoid enclosure

## technical specifications

TYPE	Ultra-compact, two-way ICT™ trapezoid
FREQUENCY RESPONSE (1)	120Hz-20kHz ± 3dB
DRIVERS	5" (125mm) bass driver 5" (125mm) ICT™ driver
RATED POWER (2)	75W AES, 300W peak
RECOMMENDED AMPLIFIER	50-100W into 4 ohms
SENSITIVITY (3)	91dB
MAXIMUM SPL (4)	108dB continuous, 114dB peak
NOMINAL IMPEDANCE	4 ohms (16 ohms optional/user configurable)
DISPERSION (-6dB)	80° horizontal, 80° vertical
CROSSOVER	-
ENCLOSURE	5 litre, rear vented
FINISH	Textured green paint
PROTECTIVE GRILLE	Grey perforated steel
CONNECTORS	Spring loaded
OPTIONS	30W line transformer
FITTINGS	M4 inserts for Omnimount 50
DIMENSIONS	(W) 172mm x (H) 282mm x (D) 172mm (W) 6.8ins x (H) 11ins x (D) 6.8ins
WEIGHT	5kg (11lbs)

## accessories

HTKEM010	Flying Yoke (supplied in pairs)
HTKEM011	Wall Bracket – Grey/Green (supplied in pairs)
HTKEM013	Wall Bracket – White (supplied in pairs)
HTKEM014	Wall Bracket – Black (supplied in pairs)

### Notes

- (1) Measured on-axis in half space at 2 metres, then referred to 1 metre.
- (2) AES Standard ANSI S4.26-1984.
- (3) Measured in half space conditions at 2 metres with 1 watt input, using band limited pink noise, then referred to 1 metre.
- (4) Measured in half space conditions at 2 metres using band limited pink noise, then referred to 1 metre.

### Trade Descriptions Act

Due to Martin Audio's policy of continuing improvement, we reserve the right to alter these specifications without prior notice. Martin Audio is committed to refining state of the art sound reinforcement, combining in-depth product and field applications research with advanced manufacturing techniques. Every Martin Audio product is built to the highest manufacturing standards and rigorously tested to ensure that it meets the performance criteria specified in the design.

## architectural and engineering specifications

The loudspeaker system shall be of the two-way passive type consisting of one 5" (125mm) direct radiating bass/mid frequency driver and one 5" (125mm) full-range ICT™ driver with a concentric high frequency diaphragm, loaded by a phase plug and waveguide. The transducers shall be mounted in a reflex loaded trapezoidal enclosure fitted with threaded inserts for wall and ceiling mounting.

Performance of the loudspeaker system with its electronic controller shall meet or exceed the following criteria:

Frequency response measured 1 metre on axis shall be 120Hz-20kHz ± 3dB.

High frequency dispersion at -6dB points shall be 80°H x 80°V.

Power handling shall be 75W AES, 300W peak.

Rated impedance shall be 4 ohms (16 ohms optional/user configurable).

Maximum SPL measured at 1 metre on axis shall be 108dB continuous, 114dB peak.

Dimensions (W) 172mm x (H) 282mm x (D) 172mm (6.8ins x 11ins x 6.8ins).

Weight 5kg (11lbs).

The loudspeaker system shall be the Martin Audio EMI5.

Century Point, Halifax Road, Cressex Business Park,  
High Wycombe, Buckinghamshire HP12 3SL, England.  
Telephone: +44 (0)1494 535312 Facsimile: +44 (0)1494 438669  
E-mail: [info@martin-audio.com](mailto:info@martin-audio.com)  
All information is Copyright © 2003 Martin Audio Ltd.

