



## KDS-EN5

4K30 4:4:4, H.264 Video Encoder supporting PoE and Video Wall

| HDMI | Ethernet - RJ-45 | 4K/30 UHD



KDSEN5 is an H.264 encoder for HDMI™ signals of up to 4K@30Hz (4:4:4). It provides highquality and fullyfeatured endtoend video and audio over IP. KDSEN5 includes AVC support for H.264/MPEG4 and AAC codec, open encoding that enables decoding through VLC® player software and unicast or multicast streaming through TS and RTSP transport protocols

## FEATURES

**High Resolution Video Encoding and Compression** - supporting up to 4K@30Hz (4:4:4) resolution

**Maximum Compatibility** - Fully standard and compliant H.264/MPEG4 AVC (Advanced Video Codec) and AAC (Advanced Audio Code) codecs, enable compatibility with other software and hardware encoders. Open encoding enables software decoding through VLC® player software

**Versatile Powering Options** - Powered by PoE (when using a Network switch that supports PoE) or by external 12V power adapter

**Standard Ethernet Network Operation** - 10/100/1000Mb. Managed switch: 1G, multicast, IGMP snooping, layer 2. Configurable DHCP, Static or Auto IP. For specific Network configuration, please contact Kramer Customer Support

**Selectable Streaming Mode** - Unicast or multicast through RTSP (Real Time Streaming Protocol)

**Convenient Unit Control and Configuration** - Distance control via userfriendly embedded web pages via the Ethernet, Protocol 3000 API, and RS232 serial commands transmitted by a PC, touch screen system or other serial controller

**Cost-Effective Maintenance** - Power and link status indicators facilitate easy local maintenance and troubleshooting. Firmware upgrade via embedded web pages or KUpload ensures lasting, fieldproven deployment

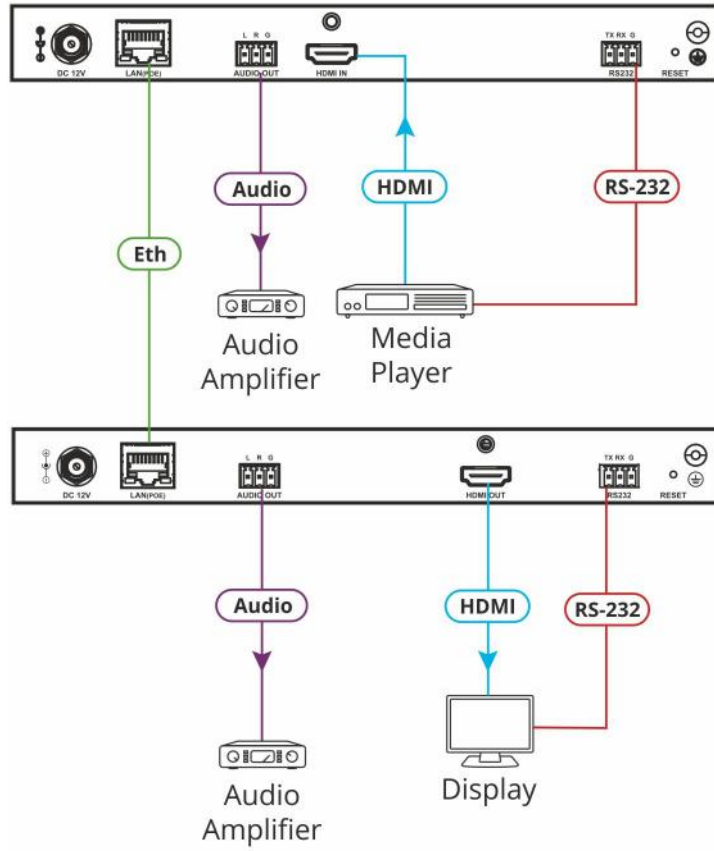
**Simple System Management** - Remote system management support to enable quick and efficient remote system and device life-cycle management



## TECHNICAL SPECIFICATIONS

---

Inputs	1 HDMI (1.4): on a female HDMI connector
Outputs	1 Unbalanced Stereo Audio: on a 3pin terminal block connector
Ports	1 Ethernet: on an RJ45 connector  1 RS-232: on a 3pin terminal block connector
Video	Compression Standard: H.264/MPEG4 AVC  Profiles: Base line, Main, High profile  Levels: Up to 5.0  Rate Control: CBR,VBR, adjustable GOP size  Bit Rates: 2Mbps30Mbps  Encapsulation Format: MPEG2 transport stream  Transmission format: TS over UDP, TS over RTP  Input Resolutions: 640x480, 800x600, 1024x768, 1280x800, 1280x1024, 1360x768, 1366x768, 1440x900, 1400x1050, 1600x1200, 1680x1050, 1920x1200, 720x480 (480p), 720x576 (576p), 1280x720 (720p30), 1280x720 (720p50), 1280x720 (720p60), 1920x1080 (1080p24), 1920x1080 (1080p25), 1920x1080 (1080p30), 1920x1080 (1080p50), 1920x1080 (1080p60) , 1920x1200, 3840x2160 (4Kp24), 3840x2160 (4Kp30)  Output Resolutions: 640x480, 720x480 (480p), 720x576 (576p), 800x600, 1024x768, 1280x720 (720p50), 1280x720 (720p60), 1280x800, 1280x1024, 1366x768, 1440x900, 1600x1200, 1680x1050, 1920x1080 (1080p24), 1920x1080 (1080p25), 1920x1080 (1080p30), 1920x1080 (1080p50), 1920x1080 (1080p60), 1920x1200, 3840x2160 (4Kp24), 3840x2160 (4Kp30)
Audio	Compression Standard: MPEG4 AACLC  Channels: 2 channel (stereo), HDMI with stereo LPCM/AAC audio  Sample Frequency: 48kHz  Bitrate 1.6Mbps (LPCM), 240Kbps (AAC)
Power	Source: PoE or 12V DC power supply (not included)  Consumption: 5.6W
Environmental Conditions	Operating Temperature: 0 to + 45°C (32 to + 113 °F), 10% to 90%, noncondensing  Storage Temperature: 20 to +70°C (4 to + 158 °F), 10% to 90%, noncondensing  Humidity: 10% to 90%, noncondensing
Product Dimensions	21.90cm x 13.50cm x 2.50cm (8.62" x 5.31" x 0.98" ) W, D, H
Product Weight	0.8kg (1.7lbs) approx
Shipping Dimensions	35.10cm x 21.20cm x 7.20cm (13.82" x 8.35" x 2.83" ) W, D, H
Shipping Weight	1.1kg (2.4lbs) approx



## 4K H.264 Streaming

