

Technical Manual

JBL E120-8, (-16)

SPECIFICATIONS



ACOUSTIC & ELECTRICAL SPECIFICATIONS:

- Nominal Impedance: 8 ohm, 16 ohm
- Power Capacity: 300W Continuous Program
150W Continuous Sine Wave²
- Frequency Range: 50 Hz to 6000 Hz
- Sensitivity: 103 dB SPL*
- Crossover Frequencies: N/A

SYSTEM COMPONENTS:

- Cabinet: N/A
- Grille: N/A
- Low Frequency Transducer: 300mm (12 in.) Cone Transducer (E120-8, -16)
- DC Resistance: 6.3 ohm \pm 10% Aluminum Wire (-8)
13.0 ohm \pm 10% Aluminum Wire (-16)

AURAL SWEEP TEST SPECIFICATIONS:

- L.F. Aural Sweep Test: 7.0V Input, 20 Hz to 1.2 kHz (-8)
14.0V Input, 20 Hz to 1.2 kHz (-16)

PHYSICAL SPECIFICATIONS:

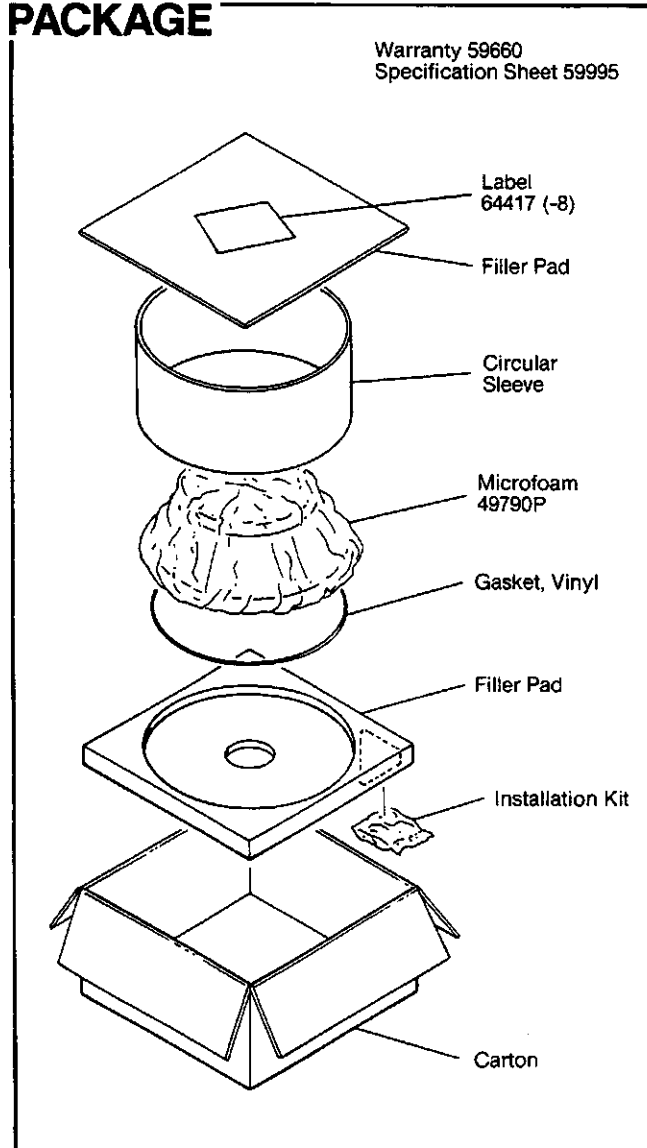
- Enclosure Dimensions: 311mm x 311mm x 111mm D
(12.25 x 12.25 x 4.38 in. D)
- Net Weight: 20 lbs. (9.5 kg.)

WARRANTY INFORMATION:

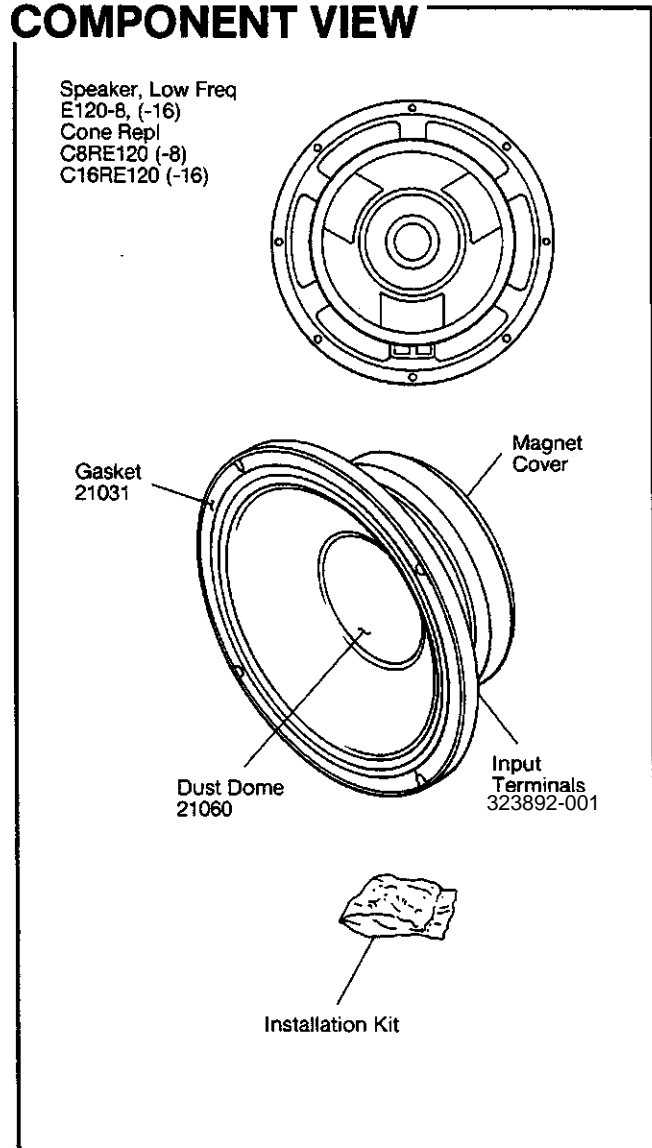
- Refer to the Warranty Statement packed with each product.

*1 Watt (2.83 V RMS) @ 1 Meter (-8)
*1 Watt (4.0 V RMS) @ 1 Meter (-16)

PACKAGE



COMPONENT VIEW

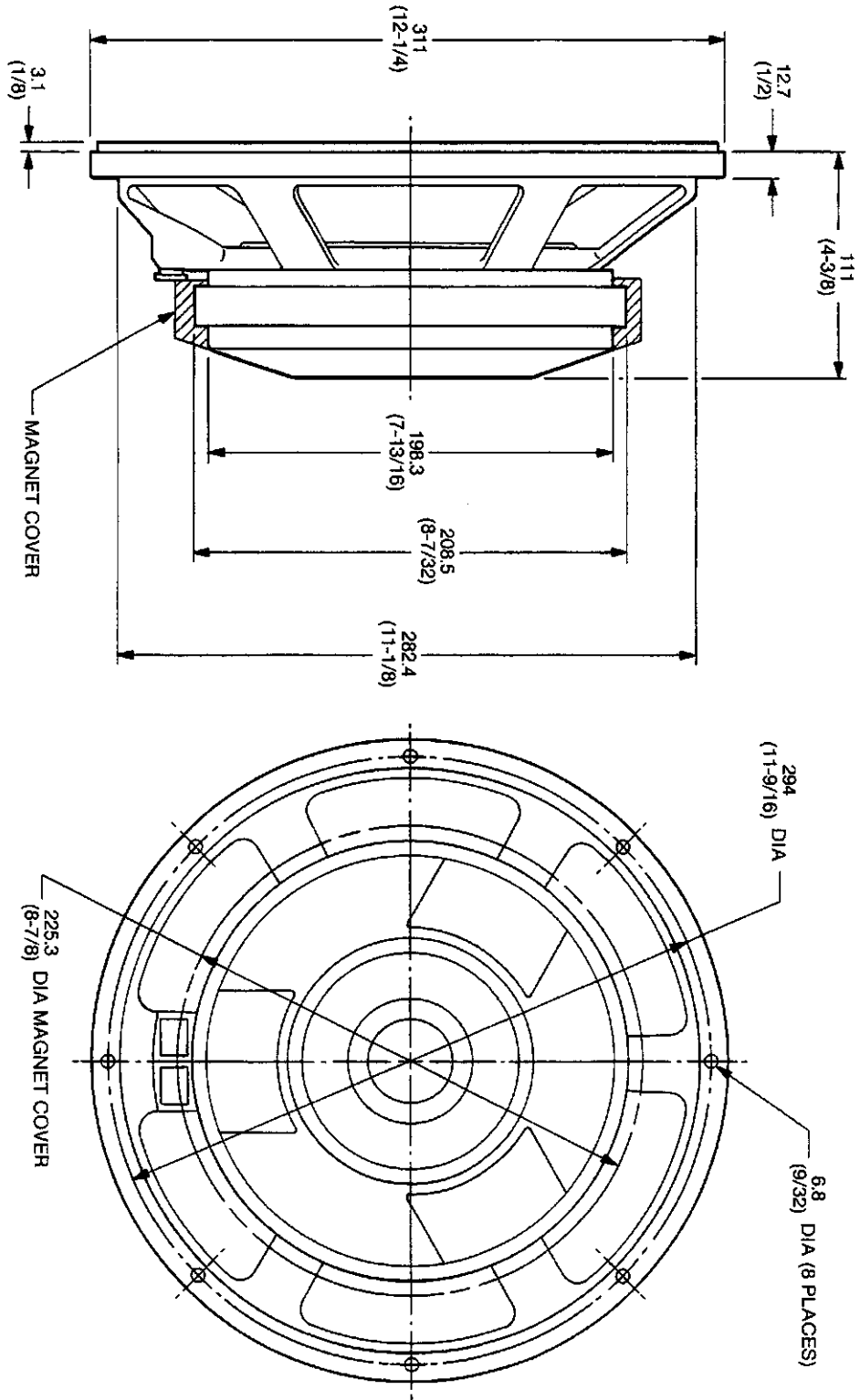


JBL E120-8, (-16) REV C

JBL E120-8, (-16)

MECHANICAL DRAWING

THESE DIMENSIONS AND SPECIFICATIONS ARE THE PROPERTY OF JBL. UNLESS OTHERWISE SPECIFIED, THEY ARE ISSUED IN STRICT CONFIDENCE AND SHALL NOT BE REPRODUCED, COPIED, OR USED AS THE BASIS FOR MANUFACTURE OR SALE OF ANY PARTS WITHOUT WRITTEN PERMISSION.



ALL DIMENSIONS ARE REF. ONLY
NOTE: DIMENSIONS IN () ARE IN INCHES

JBL E120-8, (-16)