

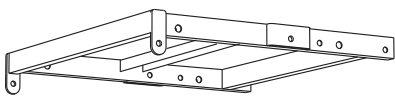
# WALL BRACKET

DWB3

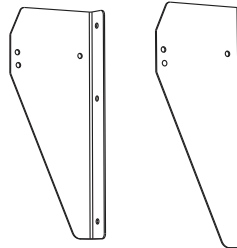
## WARNING

Make sure that the speaker is positioned in a stable and secure way in order to avoid any dangerous conditions for persons and/or objects.

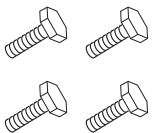
## Kit completo Complete kit



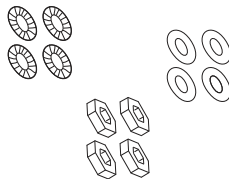
Frame



Wall stirrups



M10x40mm screw



N4 Star washer D10mm

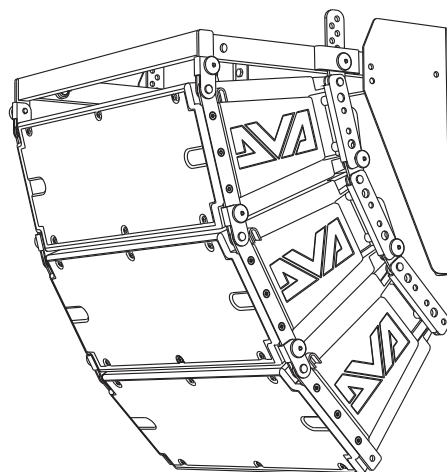
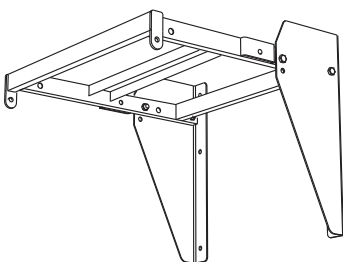
N4 Plate washer D10mm

N4 nut 10MA

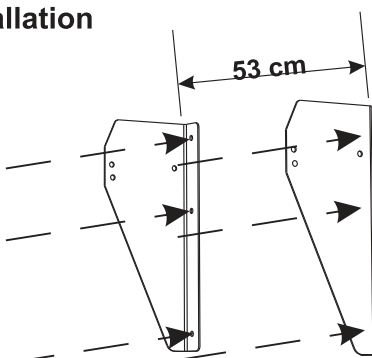


**ATTENTION: INSTALL MAXIMUM 3 SPEAKERS!!!**

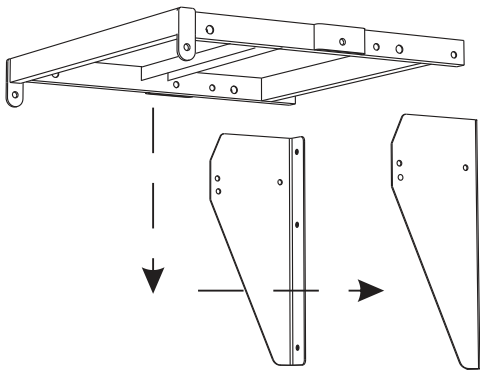
## Wall brackets fixing



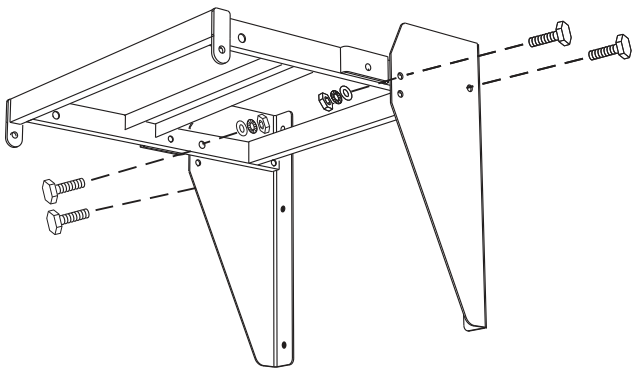
## installation



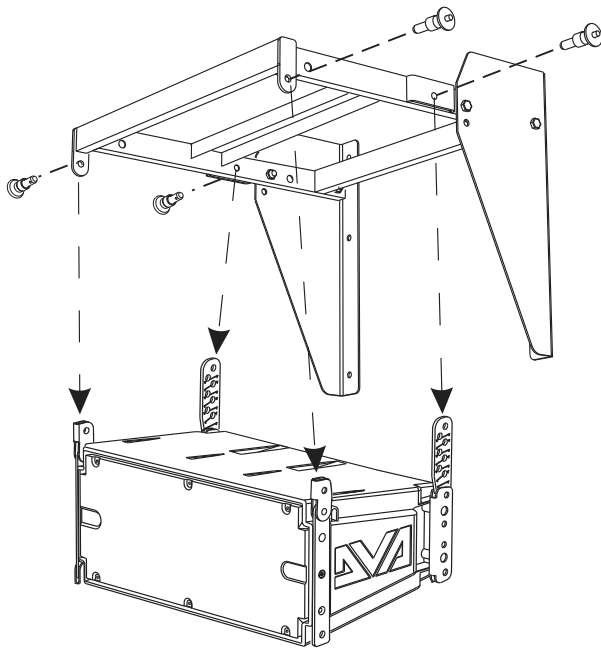
Fix two wall stirrups to the wall by 4 plug (2 for side) of 8MA.  
For the fixing maintain the frame's distance: 53cm.



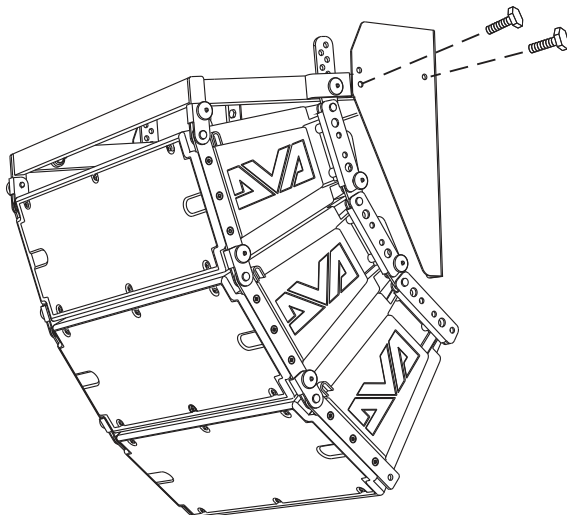
Put frame between of the stirrups.



Fix the frame to the wall brackets using proper screws, nuts and washers.  
Tighten the screws for a safe fixing.



Position DVA T4 speaker on special slot on frame  
Block the speaker with fixing pins supplied.  
Proceed with assembly of other speakers as shown  
in user manual



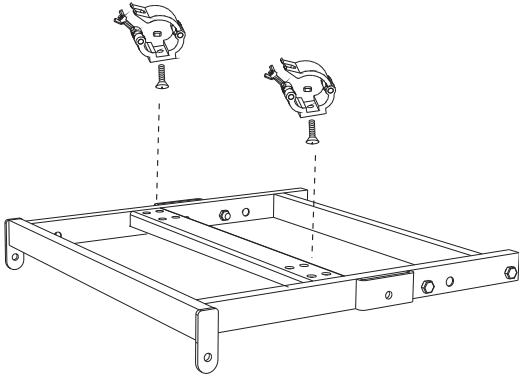
To increase by 10° the speaker inclination, fix the  
frame in the second hole present in the stirrup.



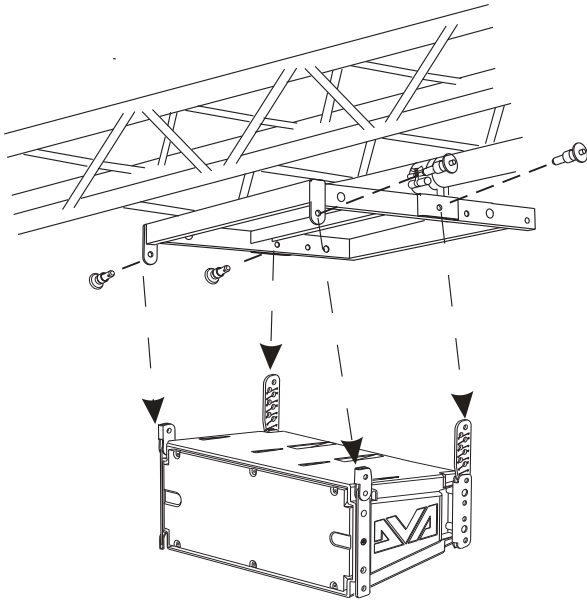
**ATTENTION: INSTALL MAXIMUM 3 SPEAKERS!!!**

## Fixing on truss structures

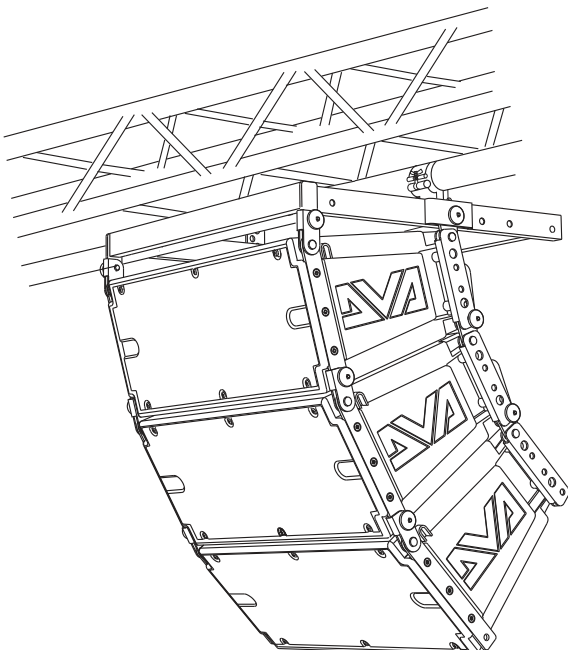
### installation



Fix two clamps on the central frame's stirrup.  
Use the right hole according to the truss position.

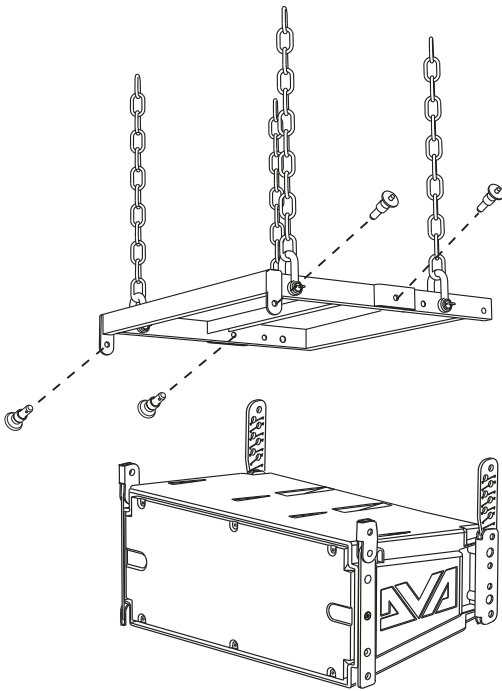


Fix the frame on the truss.  
Position DVA T4 speaker on special slots on frame  
Fix the speaker with fixing pins supplied.  
Proceed with assembly of other speakers as shown  
in user manual

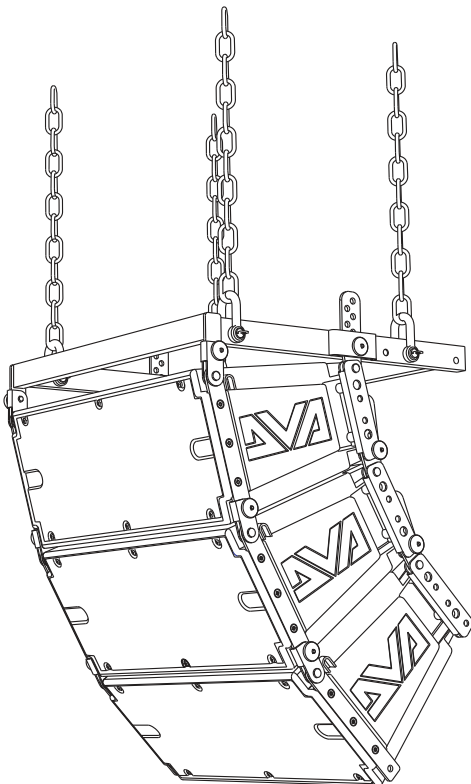


Montaggio completo  
Complete rigging.

## Frame fixing by chains



Fix the chain to the frame by O-ring, as in picture.



Position DVA T4 speaker on special slots on frame  
Fix the speaker with fixing pins supplied.  
Proceed with assembly of other speakers as shown  
in user manual