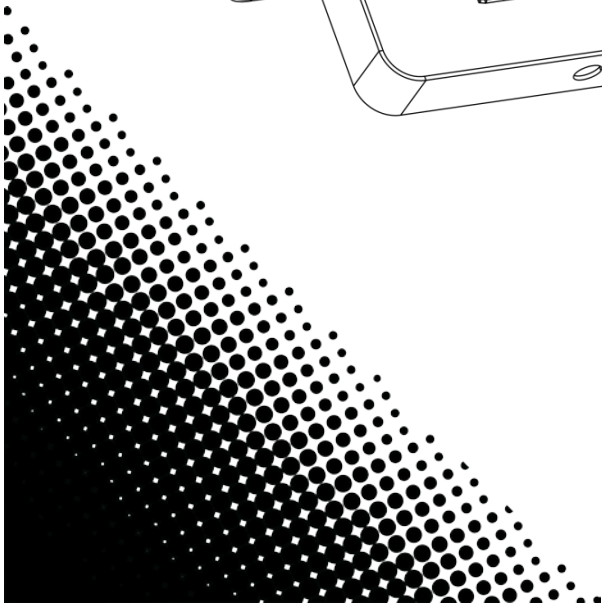
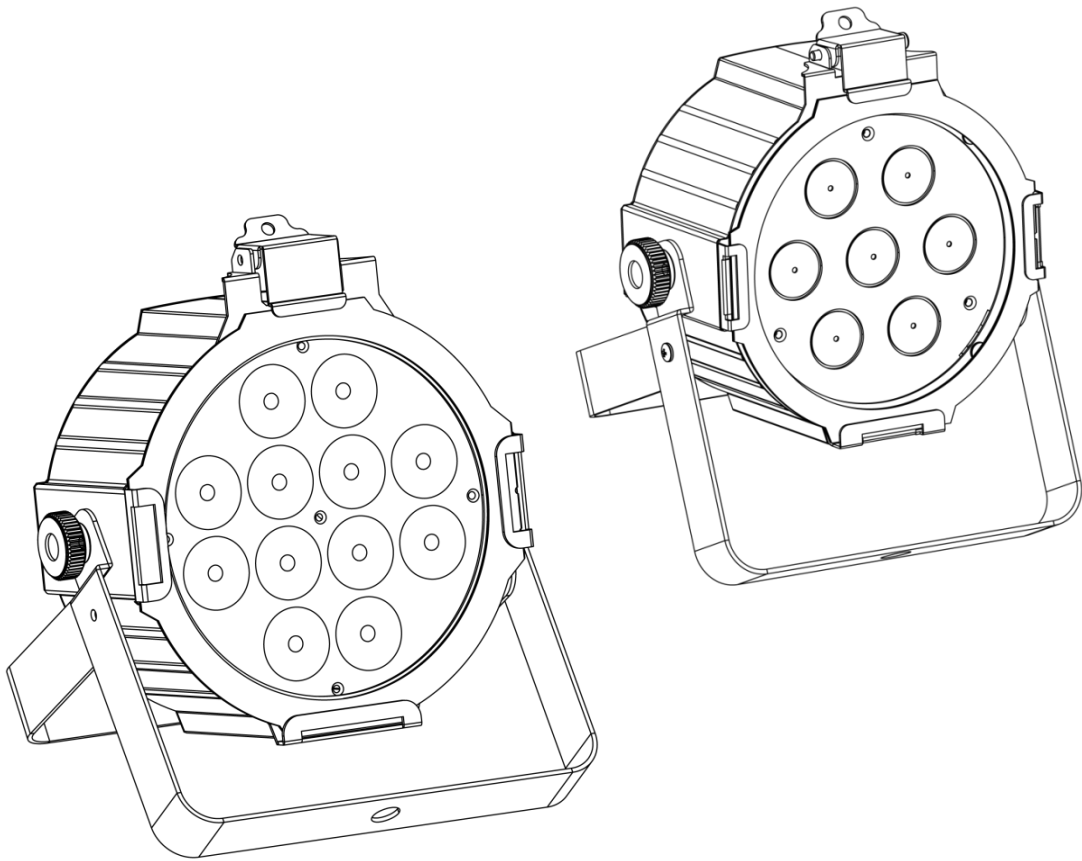


Slim**PAR**™ TRI **12 IRC**

Slim**PAR**™ TRI **7 IRC**

User Manual



CHAUVET®
Value • Innovation • Performance
It's
Green Thinking.

TABLE OF CONTENTS

1. Before You Begin	3
What Is Included	3
Unpacking Instructions	3
Claims	3
Text Conventions	3
Symbols	3
Disclaimer	3
Product at a Glance	4
Safety Notes	4
2. Introduction	5
Product Overview (SlimPAR™ Tri 12 IRC)	5
Product Overview (SlimPAR™ Tri 7 IRC)	6
Product Dimensions (SlimPAR™ Tri 12 IRC)	7
Product Dimensions (SlimPAR™ Tri 7 IRC)	8
3. Setup	9
AC Power	9
Fuse Replacement	9
Power Linking	10
Mounting	11
Orientation	11
Rigging	11
4. Operation	12
Control Panel Operation	12
Menu Map	12
Configuration (DMX)	13
Starting Address	13
Configuration (Standalone)	13
Automatic Mode	13
Static Color Mode	13
Custom Static Color Mode	13
Master/Slave Mode	14
Infrared Control	14
IRC (Infrared Remote Control) Operation	15
DMX Channel Assignments and Values	16
7-CH	16
3-CH	16
5. Technical Information	16
Product Maintenance	16
Returns	17
CHAUVET® Contact Information	17
6. Technical Specifications	18

1. BEFORE YOU BEGIN

What Is Included

- SlimPAR™ Tri IRC (7 or 12)
- Gel Frame Holder
- Power Cord
- Warranty Card
- Quick Reference Guide

Unpacking Instructions

Carefully unpack the product immediately and check the container to make sure all the parts are in the package and are in good condition.

Claims




If the box or the contents (the product and included accessories) appear damaged from shipping, or show signs of mishandling, notify the carrier immediately, not CHAUVET®. Failure to report damage to the carrier immediately may invalidate your claim. In addition, keep the box and contents for inspection.

For other issues, such as missing components or parts, damage not related to shipping, or concealed damage, file a claim with CHAUVET® within 7 days of delivery.

Text Conventions

Convention	Meaning
1—512	A range of values
50/60	A set of values of which only one can be chosen
Settings	A menu option not to be modified
Menu > Settings	A sequence of menu options to be followed
<ENTER>	A key to be pressed on the product's control panel
ON	A value to be entered or selected

Symbols

Symbol	Meaning
	Critical installation, configuration, or operation information. Not following these instructions may make the product not work, cause damage to the product, or cause harm to the operator.
	Important installation or configuration information. The product may not function correctly if this information is not used.
	Useful information.

Disclaimer

The information and specifications contained in this document are subject to change without notice. CHAUVET® assumes no responsibility or liability for any errors or omissions that may appear in this manual. CHAUVET® reserves the right to update the existing document or to create a new document to correct any errors or omissions.

You can download the latest version of this document from www.chauvetlighting.com.

© Copyright 2013 CHAUVET®. All rights reserved.

Electronically published by CHAUVET® in the United States of America.

Author	Date	Editor	Date
A. Leon	06/14/13	T. Yeago	06/17/13

Product at a Glance

Use on Dimmer	X	Auto Programs	P
Outdoor Use	X	Auto-ranging Power Supply	P
Sound-Activated	P	Replaceable Fuse	P
DMX	P	User-Serviceable	X
Master/Slave	P		

Safety Notes

Please read the following Safety Notes carefully before working with the product. The Notes include important safety information about installation, usage, and maintenance.



- Always connect the product to a grounded circuit to avoid the risk of electrocution.
- Always disconnect the product from the power source before cleaning or replacing the fuse.
- Avoid direct eye exposure to the light source while the product is on.
- Make sure the power cord is not crimped or damaged.
- Never disconnect the product from power cord by pulling or tugging on the cord.
- If mounting the product overhead, always secure to a fastening device using a safety cable.
- Make sure there are no flammable materials close to the product when operating.
- Do not touch the product's housing when operating because it may be very hot.



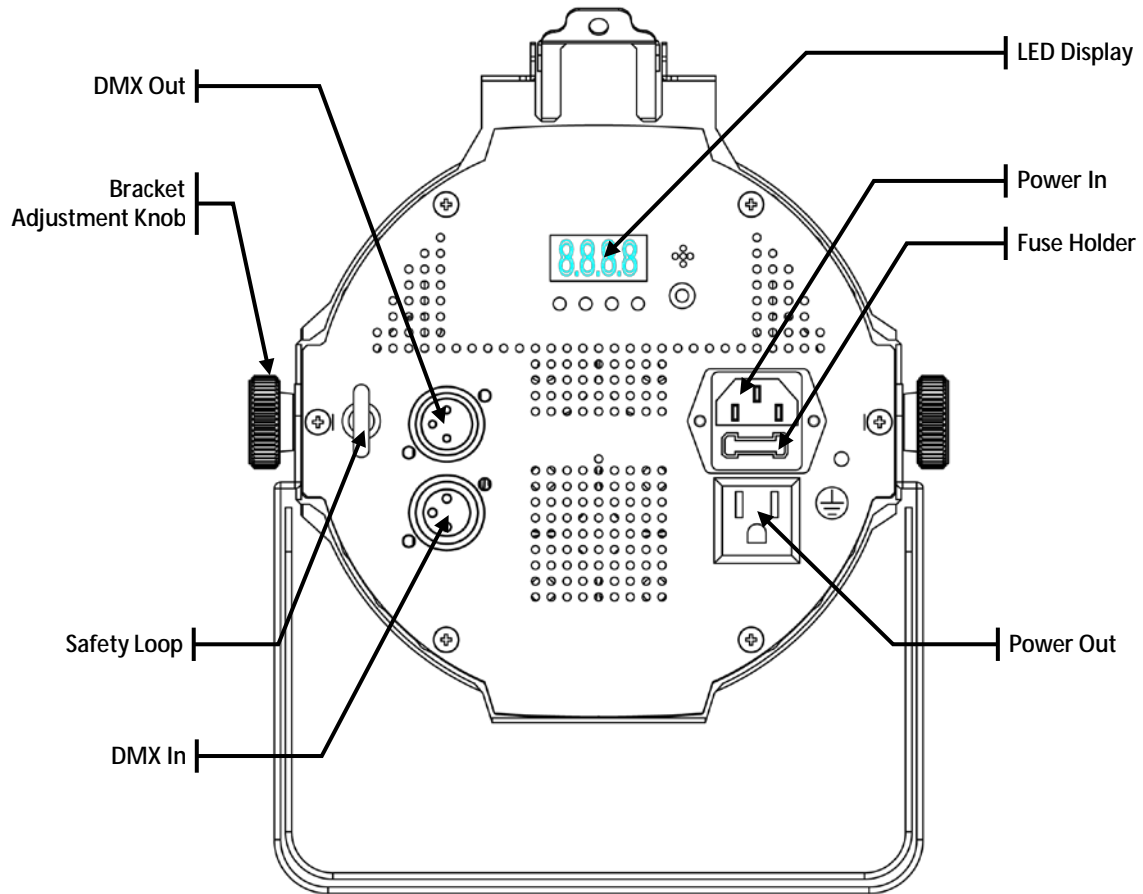
- Always make sure that the voltage of the outlet to which you are connecting the product is within the range stated on the decal or rear panel of the product.
- The product is for indoor use only! (IP20) To prevent risk of fire or shock, do not expose the product to rain or moisture.
- Always install the product in a location with adequate ventilation, at least 20 in (50 cm) from adjacent surfaces.
- Be sure that no ventilation slots on the product's housing are blocked.
- Never connect the product to a dimmer.
- Make sure to replace the fuse with another of the same type and rating.
- Never carry the product from the power cord or any moving part. Always use the hanging/mounting bracket or the handles.
- The maximum ambient temperature is 104° F (40° C). Do not operate the product at higher temperatures.
- In the event of a serious operating problem, stop using the product immediately.
- Never try to repair the product. Repairs carried out by unskilled people can lead to damage or malfunction. Please contact the nearest authorized technical assistance center.



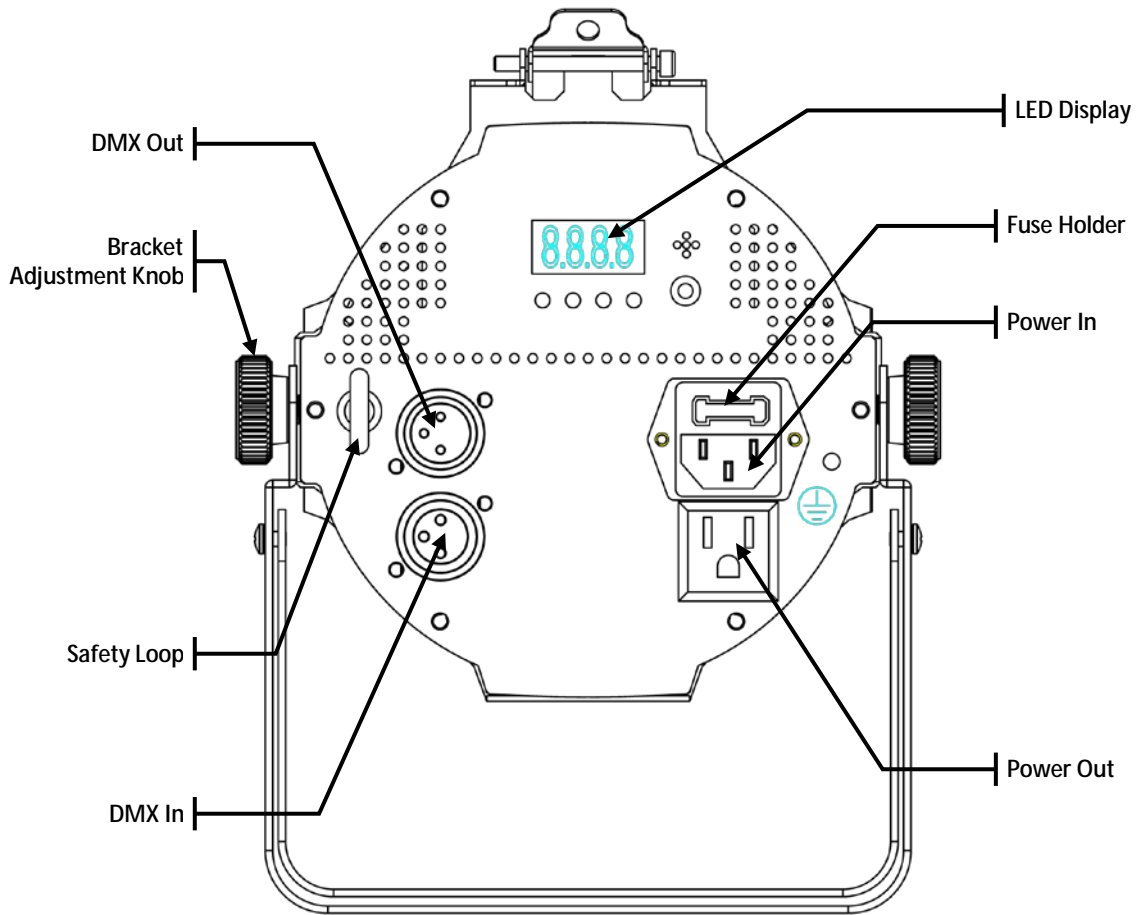
- Keep this User Manual for future consultation. If you sell the product to another user, be sure that they also receive this document.

2. INTRODUCTION

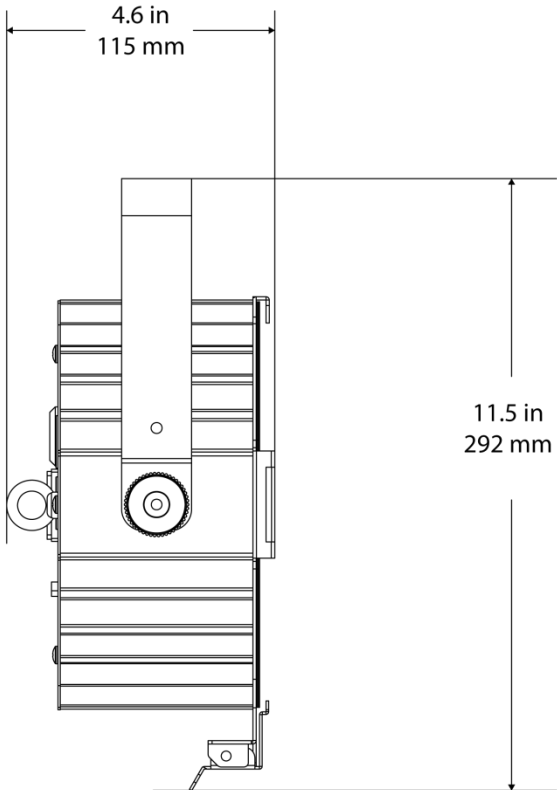
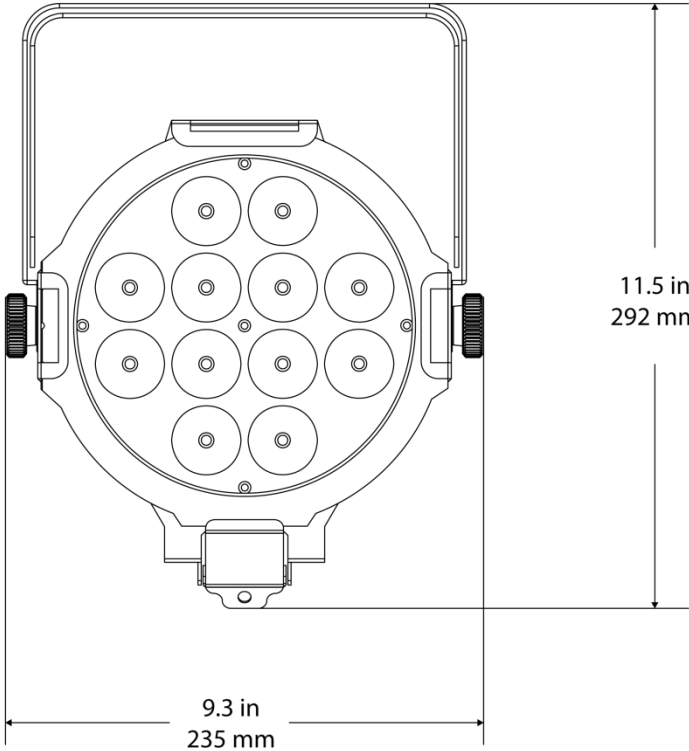
Product Overview (SlimPAR™ Tri 12 IRC)



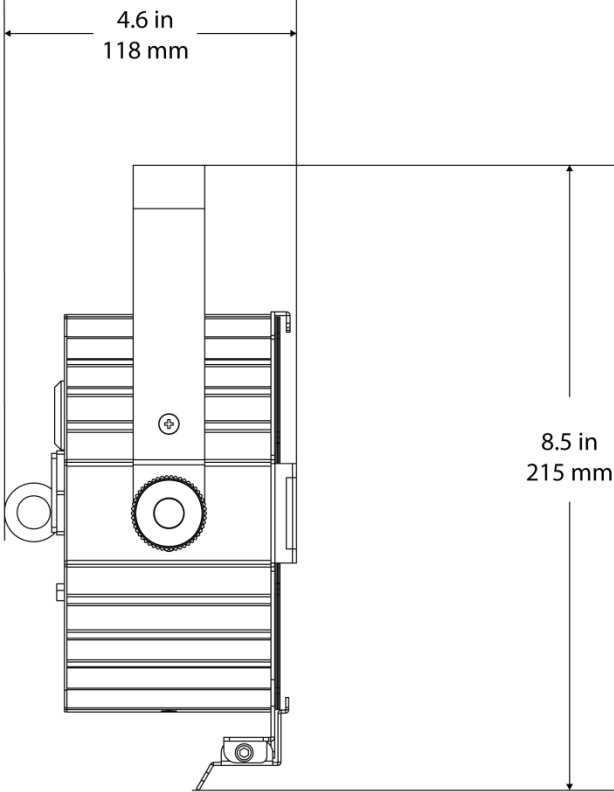
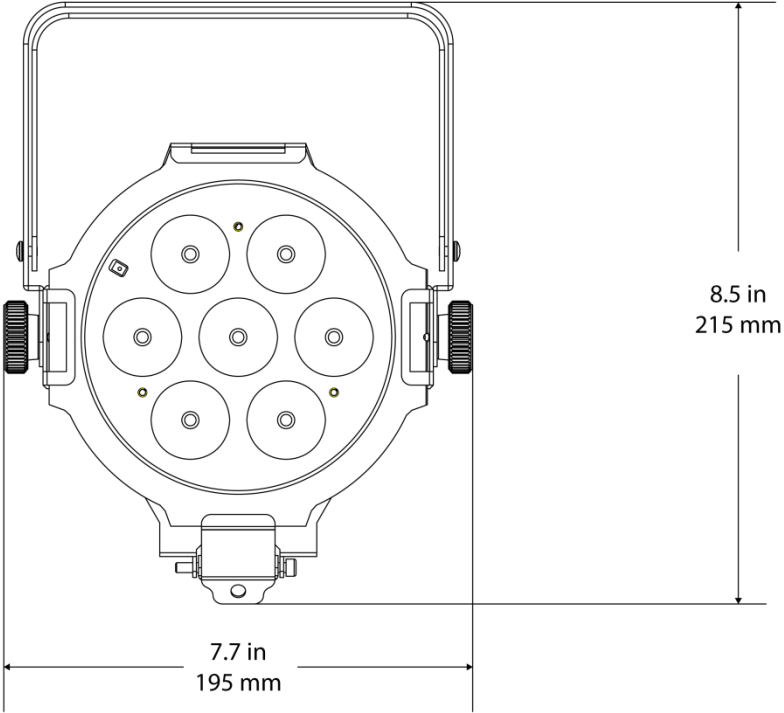
Product Overview (SlimPAR™ Tri 7 IRC)



Product Dimensions (SlimPAR™ Tri 12 IRC)



Product Dimensions (SlimPAR™ Tri 7 IRC)



3. SETUP

AC Power The SlimPAR™ Tri IRC series has an auto-ranging power supply and it can work with an input voltage range of 100~240 VAC, 50/60 Hz.

To determine the product's power requirements (circuit breaker, power outlet, and wiring), use the current value listed on the label affixed to the product's back panel, or refer to the product's specifications chart. The listed current rating indicates the product's average current draw under normal conditions.



Always connect the product to a protected circuit (circuit breaker or fuse). Make sure the product has an appropriate electrical ground to avoid the risk of electrocution or fire.



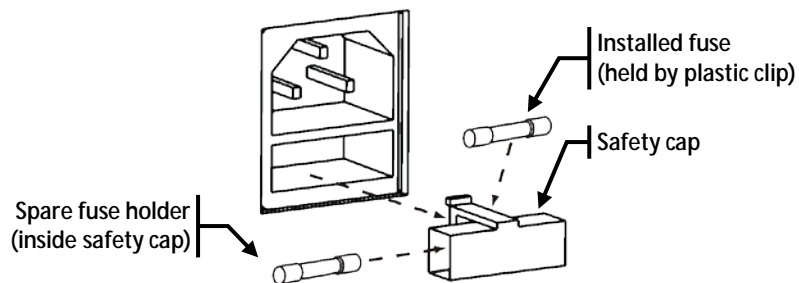
Never connect the product to a rheostat (variable resistor) or dimmer circuit, even if the rheostat or dimmer channel serves only as a 0 to 100% switch.

Fuse Replacement



Disconnect the product from the power outlet before replacing the fuse.

1. Disconnect the product from power.
2. Wedge the tip of a flat-head screwdriver into the slot of the fuse holder.
3. Pry the fuse holder out of the housing.
4. Remove the blown fuse from the holder.
5. Replace with a fuse of the exact same type and rating.
6. Insert the fuse holder back in place and reconnect power.

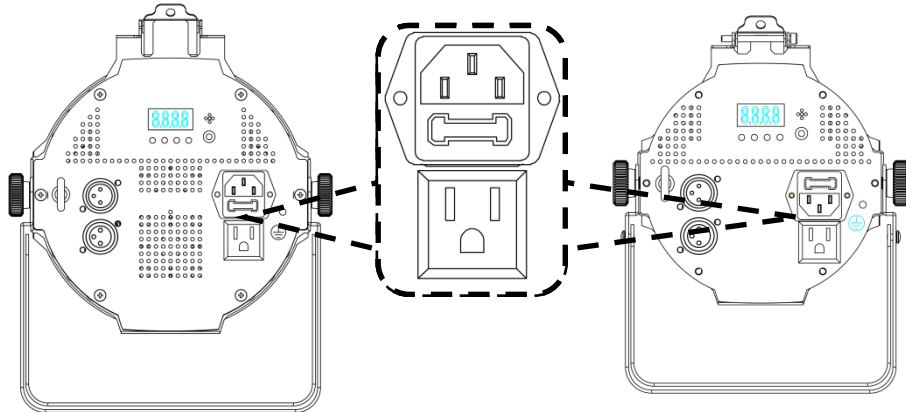


A spare fuse is not included; however, the safety cap has room for a spare.

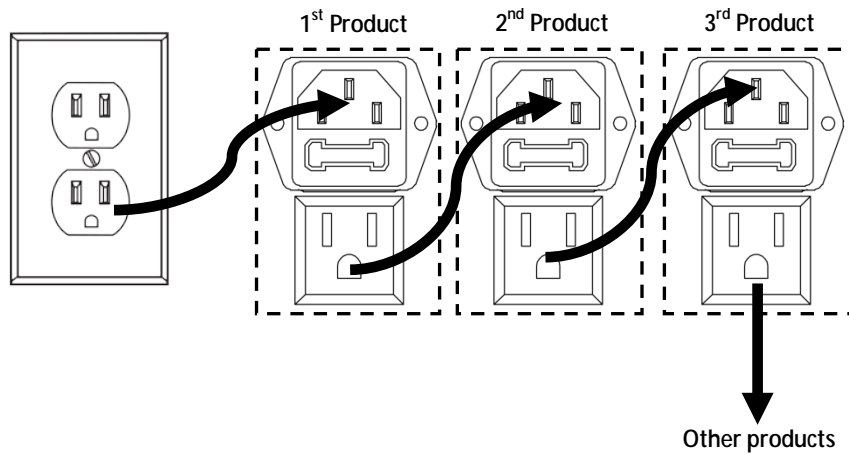


Always replace a blown fuse with the same type and rating.

Power Linking The product provides power linking via the Edison outlet located in the back of the unit..



Power Linking Diagram



You can power link up to 23 SlimPAR™ Tri 7 IRC units on 120 VAC or up to 39 SlimPAR™ Tri 7 IRC units on 230 VAC.

You can power link up to 15 SlimPAR™ Tri 12 IRC units on 120 VAC or up to 26 SlimPAR™ Tri 12 IRC units on 230 VAC.



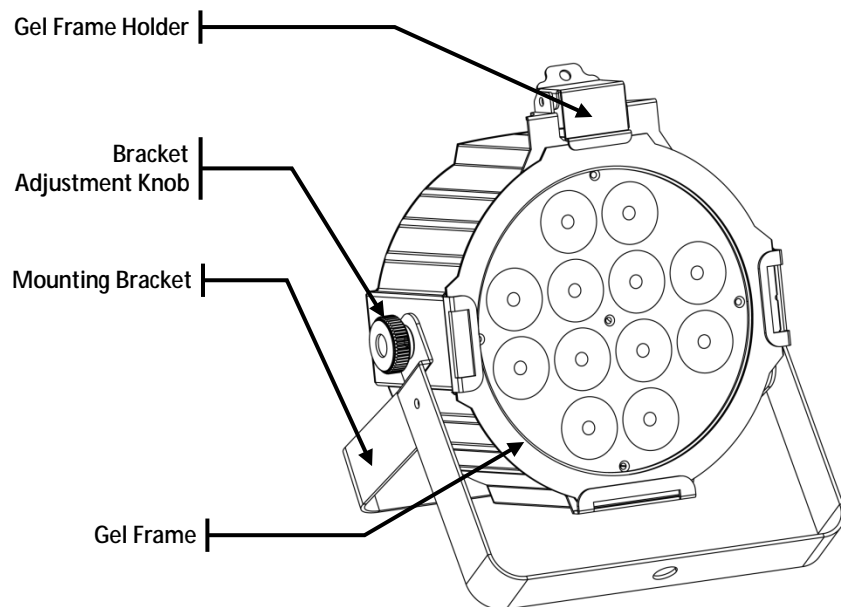
The power linking diagram shown above corresponds to the North American version of the product ONLY! If using the product in other markets, you must consult with the local CHAUVET® distributor as power linking connectors and requirements may differ in your country or region.

Mounting Before mounting the product, read and follow the safety recommendations indicated in the Safety Notes.

Orientation The SlimPAR™ Tri IRC series may be mounted in any position; however, make sure adequate ventilation is provided around each product.

- Rigging**
- Before deciding on a location for the product, always make sure there is easy access to the product for maintenance and programming purposes.
 - Make sure that the structure or surface onto which you are mounting the product can support the product's weight (see the [Technical Specifications](#)).
 - When mounting the product overhead, always use a safety cable. Mount the product securely to a rigging point, whether an elevated platform or a truss.
 - When rigging the product onto a truss, you should use a mounting clamp of appropriate weight capacity.
 - When power linking multiple products, you must always consider the length of the power linking cable and mount the products close enough for the cable to reach.
 - The bracket adjustment knobs allow for directional adjustment when aiming the product to the desired angle. Only loosen or tighten the bracket knobs manually. Using tools could damage the knobs.
 - The double-bracketed yoke/mounting brackets/rubber feet/metallic feet also serve as floor supports/allow for surface mounting. When mounting the product on the floor, make sure that the product and cables are away from people and vehicles.

Mounting Diagram
(SlimPAR™ Tri 12 IRC
shown)



4. OPERATION

Control Panel Operation To access the control panel functions, use the four buttons located underneath the display. Please refer to the Product Overview to see the button locations on the control panel.

Button	Function
<MENU>	Press to find an operation mode or to back out of the current menu option
<UP>	Press to scroll up the list of options or to find a higher value
<DOWN>	Press to scroll down the list of options or to find a lower value
<ENTER>	Press to activate a menu option or a selected value

Menu Map

Mode	Programming Steps	Description
3-CH	d001-512	3 channel DMX mode (RGB)
7-CH	d001-512	7-channel DMX mode
C--	C1	Red
	C2	Green
	C3	Blue
	C4	Cyan
	C5	Magenta
	C6	Yellow
	C7	White
P--	P1	7-color program (switching)
	P2	7-color program (fading)
	P3	3-color program (switching)
	P4	3-color program (fading)
P--	P5	7-color program (sound active)
	P6	3-color program (sound active)
S--	S--1-100	Program speed for P1-P4
U--	A--	Red (r000-100)
	g--	Green (r000-100)
	b--	Blue (r000-100)
SEr	On	Turns infrared on or off
	Off	

Configuration (DMX)

Set the product in DMX mode to control with a DMX controller.

1. Connect the product to a suitable power outlet.
2. Turn the product on.
3. Connect a DMX cable from the DMX output of the DMX controller to the DMX input socket on the product.

Starting Address

When selecting a starting DMX address, always consider the number of DMX channels the selected DMX mode uses. If you choose a starting address that is too high, you could restrict the access to some of the product's channels.

The SlimPAR™ Tri IRC series uses up to 7 DMX channels in its 7-channel DMX mode, which defines the highest configurable address to **506**.

If you are not familiar with the DMX protocol, you may refer to the *DMX Primer* section in the *Technical Information* chapter.

To select the starting address, do the following:

1. Press **<MENU>** repeatedly until **3-CH** or **7-CH** shows on the display.
2. Press **<ENTER>**.
3. Use **<UP>** or **<DOWN>** to select the starting address.
4. Press **<ENTER>**.

Configuration (Standalone)

Set the product in one of the standalone modes to control without a DMX controller.

1. Connect the product to a suitable power outlet.
2. Turn the product on.



Never connect a product that is operating in any standalone mode (either Static or Automatic) to a DMX string connected to a DMX controller. Products in standalone mode may transmit DMX signals that could interfere with the DMX signals from the controller.

Automatic Mode

To enable the Automatic Mode, follow the instructions below:

1. Press **<MENU>** repeatedly until **P--** shows on the display.
2. Press **<ENTER>**.
3. Use **<UP>** or **<DOWN>** to choose an auto program (**P1-P6**).
4. Press **<ENTER>**.
5. To adjust the speed of the program, press **<MENU>** until **S--** shows on the display.
6. Press **<ENTER>**.
7. Use **<UP>** or **<DOWN>** to adjust the duration of each step of the automatic program from **S__1** (fast) to **S100** (slow).
8. Press **<ENTER>**.

Static Color Mode

To enable the Static Color Mode, follow the instructions below:

1. Press **<MENU>** repeatedly until **C--** shows on the display.
2. Press **<ENTER>**.
3. Use **<UP>** or **<DOWN>** to choose a color. (**C1-C7**)
4. Press **<ENTER>**.

Custom Static Color Mode

To enable the Custom Static Color Mode, follow the instructions below:

1. Press **<MENU>** repeatedly until **U--** shows on the display.
2. Press **<ENTER>**.
3. Press **<UP>** or **<DOWN>** to choose between colors (**R--**, **g--**, **b--**).
4. Press **<ENTER>**.
5. Press **<UP>** or **<DOWN>** to choose the intensity of the color (**000-100**).
6. Repeat the steps to mix additional colors to create the color you need.

Master/Slave Mode

The Master/Slave mode allows a single SlimPAR™ Tri IRC series unit (the “master”) to control the actions of one or more SlimPAR™ Tri IRC series units (the “slaves”) without the need of a DMX controller. The master unit will be set to operate in either Automatic or Static Color mode, while the slave units will be set to operate in Slave Mode. Once set and connected, the slave units will operate in unison with the master unit.

Configure the units as indicated below.

Slave units:

1. Press **<MENU>** repeatedly until **3-CH** shows on the display.
2. Press **<ENTER>** to accept.
3. Set the DMX address to **001**.
4. Connect the DMX input of the first slave unit to the DMX output of the master unit.
5. Connect the DMX input of the subsequent slave units to the DMX output of the previous slave unit.
6. Finish setting and connecting all the slave units.

Master unit:

1. Set the master unit to operate in either Automatic or Static Color mode.
2. Make the master unit the first unit in the DMX daisy chain.

- **Configure all the slave units before connecting the master unit to the DMX daisy chain.**



- **Never connect a DMX controller to a DMX string configured for Master/Slave operation because the controller may interfere with the signals from the master unit.**

- **Do not connect more than 31 slave units to the master unit.**



- **When using the Master/Slave mode with the IRC, set the slave units to 7-channel mode to ensure the best performance.**

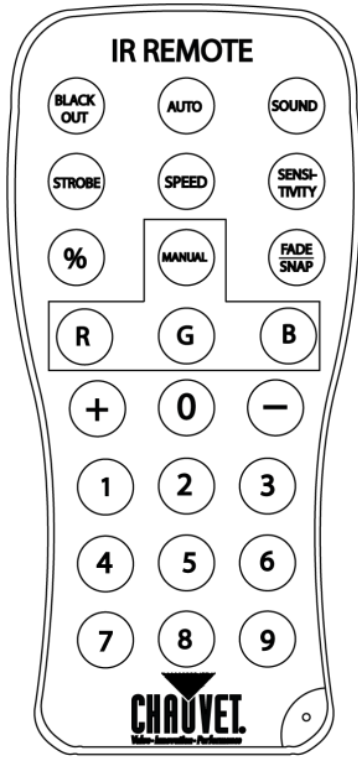
Infrared Control

The SlimPAR™ Tri IRC series is fully compatible with the IRC Infrared Remote Control from CHAUVET®. To enable usage with the IRC, follow the instructions below:

1. Press **<MENU>** repeatedly until **SEr** shows on the display.
2. Press **<ENTER>**.
3. Press **<UP>** or **<DOWN>** to turn the feature on or off.
4. Press **<ENTER>**.

For IRC operation instructions, refer to the following page.

IRC (Infrared Remote Control) Operation



Automatic Mode

Automatic Mode will enable you to run the automatic programs on the product.

To turn on Automatic Mode:

1. Press AUTO on the IRC.
2. Press + or – to choose between the different auto programs.

To adjust the speed of the automatic program:

1. Press SPEED on the IRC.
2. Press %.
3. Press + or – to either increase or decrease the speed of the program.

Sound-Active Mode

Sound Active Mode will enable the product to respond to the music.

To turn on Sound Active mode:

1. Press SOUND on the IRC.

To adjust sound sensitivity in Sound Active mode:

1. Press SENSITIVITY on the IRC.
2. Press %.
3. Press + or – to either increase or decrease sound sensitivity.

Manual Color Control

To choose a specific color with the IRC:

1. Press MANUAL on the IRC.
2. Press any number between 0-9 to choose your color.

To manually control the RGB percentage:

1. Press MANUAL on the IRC.
2. Press R, G, or B to choose your color.
3. Press + or – to increase or decrease the percentage of each color.

Miscellaneous Operation

To adjust the strobe rate of the program:

1. Press STROBE on the IRC.
2. Press + or – to increase or decrease the strobe rate.
3. Press STROBE again to turn off the strobe.

To change the switching effect of the program:

Press FADE/SNAP on the IRC.

Fade will slowly switch the effect. Snap will rapidly switch the effect.

To black out the lights:

Press BLACK OUT on the IRC.

This will turn off all the lights until the button is pressed again.

Note: The IRC will not respond to any inputs when Black Out is activated. If the remote does not respond when a button is pressed, try pressing BLACK OUT. You may have inadvertently activated BLACK OUT.

DMX Channel Assignments and Values

7-CH	Channel	Function	Value	Setting
	1	Red	000 ◊ 255	0~100%
	2	Green	000 ◊ 255	0~100%
	3	Blue	000 ◊ 255	0~100%
	4	Color Macros (overrides CH. 1-3)	000 ◊ 015	No function
			016 ◊ 255	Color Macros
	5	Speed (when CH.6 is 032~223)	000 ◊ 255	0~100%
		Strobe	000 ◊ 015	No function
			016 ◊ 255	Slow to fast
	6	Mode	000 ◊ 031	RGB Mode
			032 ◊ 063	Pulse effect 0~100%
			064 ◊ 095	Pulse effect 100%~0
			096 ◊ 127	Pulse effect 100%~0~100%
			128 ◊ 159	Auto fade transition
			160 ◊ 191	Auto snap transition (3 colors)
			192 ◊ 223	Auto snap transition (7 colors)
			224 ◊ 255	Sound-Active mode
	7	Dimmer	000 ◊ 255	0~100%

3-CH	Channel	Function	Value	Setting
	1	Red	000 ◊ 255	0~100%
	2	Green	000 ◊ 255	0~100%
	3	Blue	000 ◊ 255	0~100%

5. TECHNICAL INFORMATION

Product Maintenance

Dust build-up reduces light output performance and can cause overheating. This can lead to reduction of the light source's life and mechanical wear. To maintain optimum performance and minimize wear, clean the product at least twice a month. However, usage and environmental conditions contribute to increased cleaning frequency.

To clean the product, follow the instructions below:

- Unplug the product from power.
- Wait until the product is at room temperature.
- Use a vacuum (or dry compressed air) and a soft brush to remove dust collected on the external surface/vents.
- Clean all glass/transparent surfaces with a mild soap solution, ammonia-free glass cleaner, or isopropyl alcohol.
- Apply the solution directly to a soft, lint-free cotton cloth or a lens cleaning tissue.
- Softly drag any dirt or grime to the outside edge of the glass/transparent surface.
- Gently polish the glass/transparent surfaces until they are free of haze and lint.



Always dry the glass/transparent surfaces carefully after cleaning them.

To return a product or request support:

- In the U.S., contact CHAUVET® World Headquarters (see below).
- In the UK or Ireland, contact CHAUVET® Europe Ltd. (see below).
- In any other country, DO NOT contact CHAUVET®. Contact your distributor. See www.chauvetlighting.com for distributors outside the U.S., United Kingdom, or Ireland..



If you live outside the U.S., United Kingdom, or Ireland, contact your distributor of record and follow their instructions on how to return CHAUVET® products to them. Visit our website for contact details.

Returns

Call the corresponding CHAUVET® Technical Support office and request a Return Merchandise Authorization (RMA) number before shipping the product. Be prepared to provide the model number, serial number, and a brief description of the cause for the return.

You must send the merchandise prepaid, in its original box, and with its original packing and accessories. CHAUVET® will not issue call tags.

Clearly label the package with the RMA number. CHAUVET® will refuse any product returned without an RMA number.



Write the RMA number on a properly affixed label. DO NOT write the RMA number directly on the box.

Before sending the product, clearly write the following information on a piece of paper and place it inside the box:

- Your name
- Your address
- Your phone number
- RMA number
- A brief description of the problem

Be sure to pack the product properly. Any shipping damage resulting from inadequate packaging will be your responsibility. FedEx packing or double-boxing are recommended.



CHAUVET® reserves the right to use its own discretion to repair or replace returned product(s).

CHAUVET® Contact Information

World Headquarters

CHAUVET®

General Information

Address: 5200 NW 108th Avenue
Sunrise, FL 33351
Voice: (954) 577-4455
Fax: (954) 929-5560
Toll free: (800) 762-1084

Technical Support

Voice: (954) 577-4455 (Press 4)
Fax: (954) 756-8015
Email: tech@chauvetlighting.com

World Wide Web

www.chauvetlighting.com

United Kingdom & Ireland

CHAUVET® Europe Ltd.

General Information

Address: Unit 1C
Brookhill Road Industrial Estate
Pinxton, Nottingham, UK
NG16 6NT
Voice: +44 (0)1773 511115
Fax: +44 (0)1773 511110

Technical Support

Email: uktech@chauvetlighting.com

World Wide Web

www.chauvetlighting.co.uk

6. TECHNICAL SPECIFICATIONS

Dimensions and Weight	Length (Tri 12)	Width (Tri 12)	Height (Tri 12)	Weight (Tri 12)
	11.5 in (292 mm)	9.3 in (235 mm)	4.6 in (115 mm)	5.7 lbs (2.6 kg)
	Length (Tri 7)	Width (Tri 7)	Height (Tri 7)	Weight (Tri 7)
	7.7 in (195 mm)	4.6 in (118 mm)	8.5 in (215 mm)	3.8 lbs (1.7 kg)
Note: Dimensions in inches rounded to the nearest decimal digit				
Note: Unless otherwise indicated, all specifications are applicable to both the SlimPAR™ Tri 7 IRC and the SlimPAR™ Tri 12 IRC.				
Power	Power Supply Type	Range	Voltage Selection	
	Switching (internal)	100~240 V, 50/60 Hz	Auto-ranging	
	SlimPAR™ Tri 12 IRC	120 V, 60 Hz	230 V, 50 Hz	
	Consumption	64 W	67 W	
	Operating	0.5 A	0.3 A	
	Power linking current (units)	8 A (15 units)	8 A (26 units)	
	Fuse	F 1 A, 250 V	F 1 A, 250 V	
	SlimPAR™ Tri 7 IRC	120 V, 60 Hz	230 V, 50 Hz	
	Consumption	42 W	47 W	
	Operating	0.3 A	0.2 A	
	Power linking current (units)	8 A (23 units)	8 A (39 units)	
	Fuse	F 1 A, 250 V	F 1 A, 250 V	
	Power I/O	US/Worldwide	UK/Europe	
	Power input connector	IEC	IEC	
Power output connector	Edison	IEC		
Power Cord plug	Edison (U.S.)	Local plug		
Light Source	Type	Power	Lifespan	
	LED	1 W	50,000 hours	
	Parameter	SlimPAR™ Tri 12 IRC	SlimPAR™ Tri 7 IRC	
	Color	Tri-color	Tri-color	
	Quantity	12	7	
Current	350 mA (x 3)	350 mA (x 3)		
Photo Optic	Parameter	SlimPAR™ Tri 12 IRC	SlimPAR™ Tri 7 IRC	
	Illuminance @ 2 m	2,662 lux	1,073 lux	
	Beam angle	20°	20°	
	Field angle	34°	34°	
Thermal	Maximum External Temp.	Cooling System		
	104° F (40° C)	Convection		
DMX	I/O Connectors	Connector Type	Channel Range	
	3-pin XLR	Sockets	3, 7	
Ordering	Product Name	Item Code	Item Number	
	SlimPAR™ Tri 12 IRC	03030405	SLIMPARTRI12IRC	
	SlimPAR™ Tri 7 IRC	03030404	SLIMPARTRI7IRC	