



# LED Followspot 75ST

This portable, LED-powered followspot is equipped with a 75-watt white LED for a hardedge, focused beam. Easy to set up and tear down, LED Followspot 75ST comes with an included tripod. Extremely fast electronic strobe delivers silent operation with no moving parts. Super smooth LED dimming makes professional fading a breeze, while a single gobo slot projects crisp patterns onto any surface.



# Highlights

- Portable, LED followspot emits a focused beam with a sharp edge
- Set up and tear down in seconds with the included tripod
- Increase flexibility with DMX and manual control options
- A great option for small clubs and auditoriums
- Simplify professional fading with smooth LED dimming
- Deliver silent operation with fast electronic strobe and no moving parts
- Project crisp patterns onto any surface using the single gobo slot
- Focus the light where it is needed using the mechanical iris to reduce the beam's diameter

## Technical Specifications

Dimensions and Weight	Length	Width	Height	Weight
	22 in (560 mm)	10.8 in (276 mm)	11.5 in (292 mm)	13.3 lb (6 kg)

**Note:** Dimensions in inches rounded to the nearest decimal digit.

Power	Power Supply Type	Range	Voltage Selection
	Switching (external)	120/230 VAC, 50/60 Hz	Switchable

Parameter	120V, 60Hz	230V, 50Hz
Consumption	215 W	220 W
Operating	1.8 A	1 A
Fuse	F 2 A, 250 V	F 2 A, 250 V

Power I/O	US/Canada	UK/Worldwide
Power input connector	IEC	IEC
Power Cord plug	Edison (US)	Local plug

Light Source	Type	Power	Lifespan
	LED	75 W	50,000 hours

Color	Quantity	Current
White	1	18 A

Photo Optic	Parameter	Narrow Lenses
	Illuminance @ 2 m (14°)	8,140 lux
	Illuminance @ 2 m (20°)	4,650 lux
	Strobe rate	0–16 Hz
	Iris (min)	5° (at tightest zoom)
	Zoom angle	14° to 20°
	Gobo size	23.7 mm outside 21.3 mm image 1 mm max thickness

Thermal	Maximum External Temp.	Cooling System
	104 °F (40 °C)	Fan-assisted

DMX	I/O Connectors	Connector Type	Channel Range
	3-pin XLR	Sockets	3

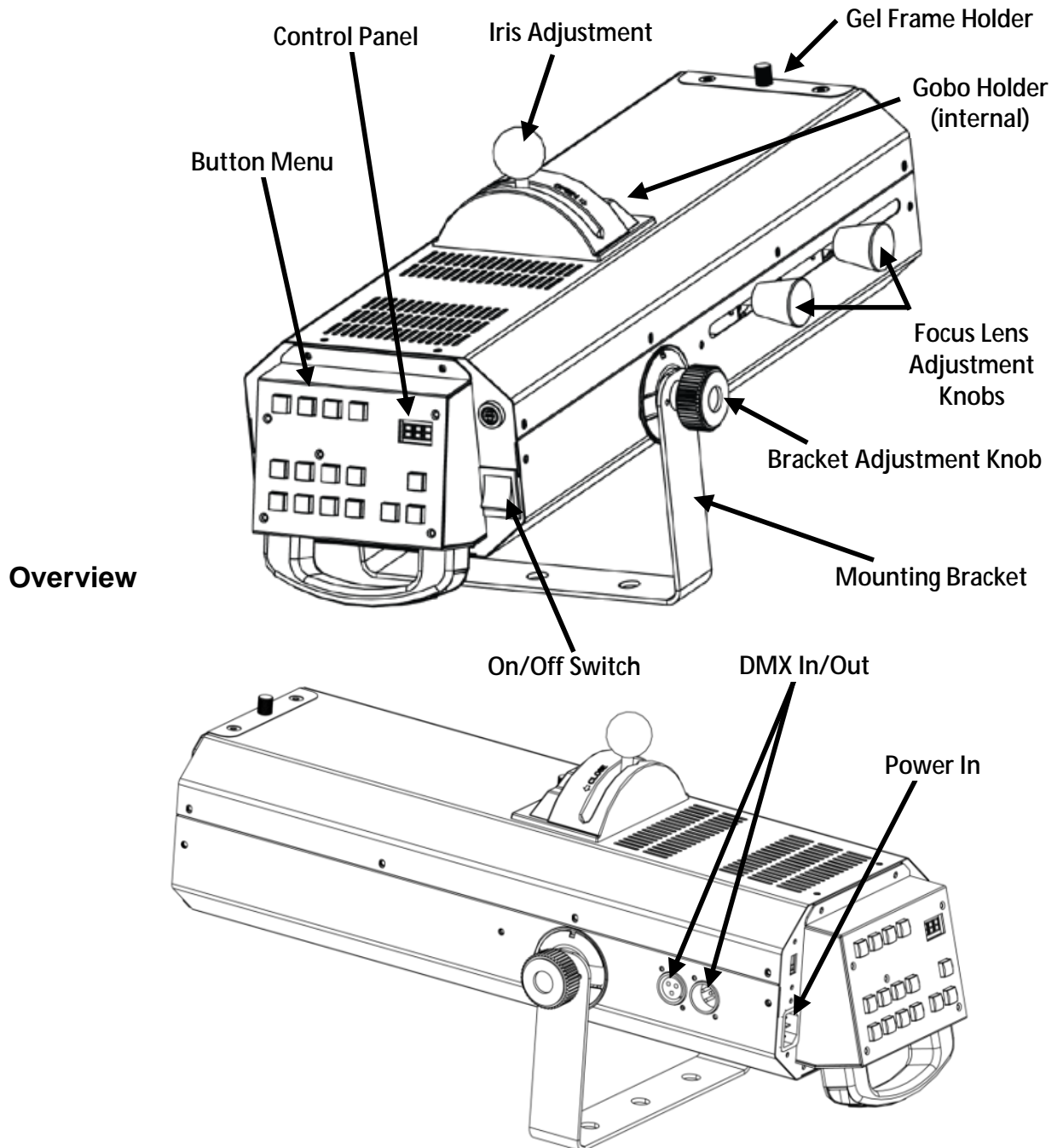
Ordering	Product Name	Item Code	UPC Number
	LED Followspot 75ST	08040503	781462208554



UL 1573  
CSA C22.2 No. 166  
E113093



**Description** The LED Followspot 75ST is a portable, LED-powered fixture that offers DMX or manual controls to suit a variety of needs. Super smooth LED dimming and an extremely fast electronic strobe makes it a fantastic beam for any performance. Project crisp patterns onto any surface using the single gobo slot.



**AC Power** This product has a switchable power supply that can work with an input voltage of 120 VAC or 230 VAC, 50/60 Hz.

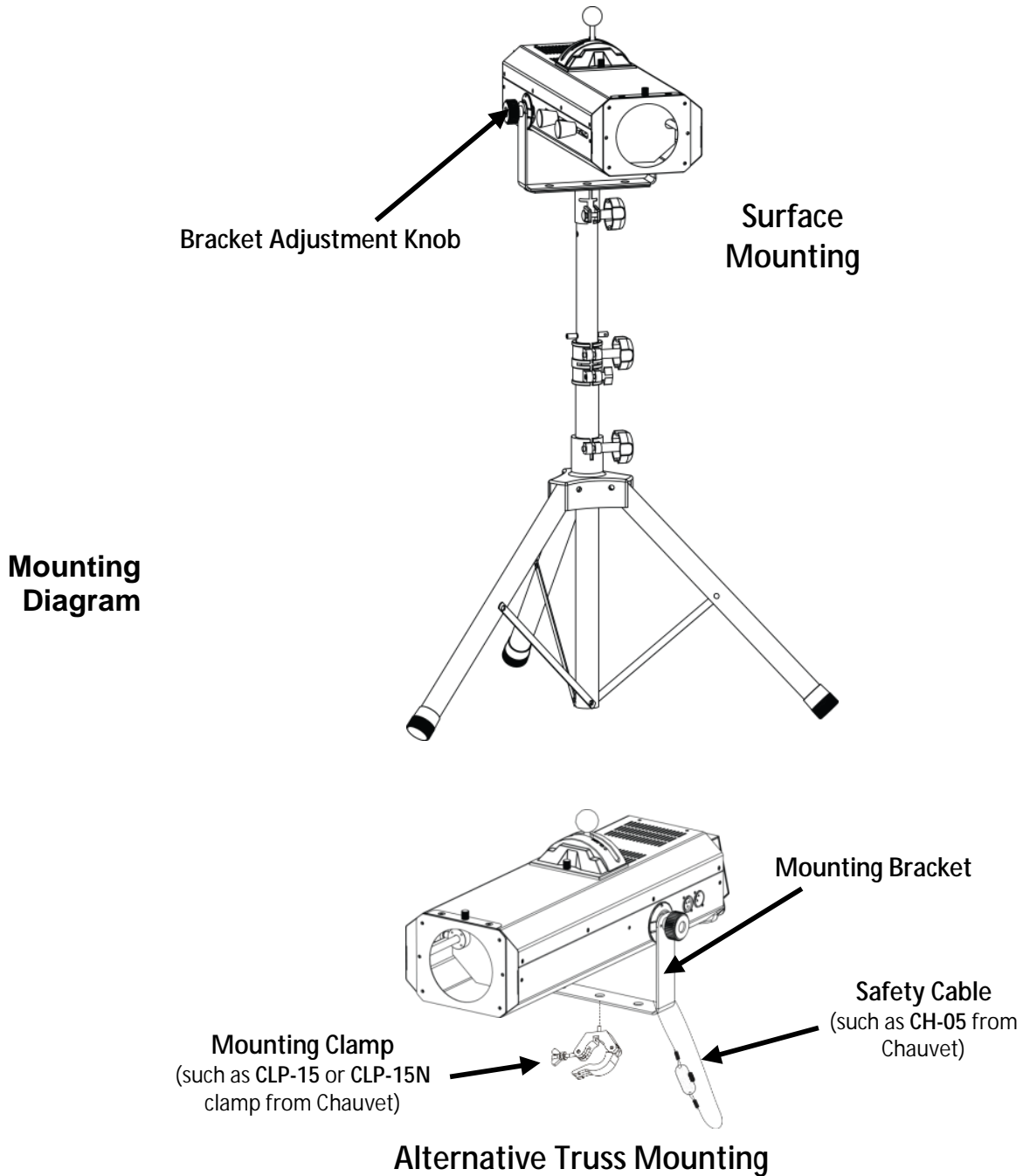


**Fuse Replacement**

**To eliminate wear and improve its lifespan, during periods of non-use completely disconnect from power via breaker or by unplugging it.**

1. Disconnect the product from power.
2. Using a flat-head screwdriver, loosen the fuse holder and pull straight out.
3. Remove the blown fuse from the holder and replace with a fuse of the exact same type and rating.
4. Re-insert the fuse holder and reconnect power.

**Mounting** Before mounting this product, read the [Safety Notes](#) and refer to the user manual.



The alternative truss mounting is recommended for static installation only. While using the truss mounting, be sure to continuously check and secure the rigging points, especially if repositioning the LED Followspot 75ST.

**Programming** For details on how to program this product, please refer to the product's User Manual.

Control Panel Description	Button	Function
	<POWER SWITCH>	Turns power on and off
<DIMMER MAX>	Opens dimmer to a maximum of 100% (hold to raise percentage)	
<DIMMER MIN>	Closes dimmer to a minimum of 0 (hold to lower percentage)	
<SHUTTER ON>	Turns LED on (default setting)	
<BLACK OUT>	Turns LED off	
<ORANGE>	Projects orange color	
<CYAN>	Projects cyan color	
<RED>	Projects red color	
<GREEN>	Projects green color	
<MAGENTA>	Projects magenta color	
<YELLOW>	Projects yellow color	
<BLUE>	Projects blue color	
<WHITE>	Projects white light	
<FUNCTION SELECT>	Selects manual or DMX mode	
<UP>	In DMX mode, moves channel number up	
<DOWN>	In DMX mode, moves channel number down	

## Menu Options

Main Level	Programming Levels		Description
Manual Mode	NAn		Selects Manual mode
DMX Address	001	001–512	Sets the DMX starting address

**DMX Linking** The LED Followspot 75ST can work with a DMX controller when linked by DMX serial connections. Instructions for connecting and configuring this product for DMX operation are in the User Manual. If you are not familiar with DMX, download the DMX Primer from [www.chauvetlighting.com](http://www.chauvetlighting.com).

**Starting Address** To ensure full access to all channels in each DMX mode, the highest recommended DMX address is **510**.

**Master/Slave Connection** The LED Followspot 75ST uses the DMX data connection for its Master/Slave mode. Instructions for connecting and configuring this product for Master/Slave operation are in the User Manual.

## DMX Values

3-CH	Channel	Function	Value	Percent/Setting
	1	Dimmer	000 ó 255	0–100%
	2	Color	000 ó 031	White
			032 ó 063	Dark blue
			064 ó 095	Yellow
			096 ó 127	Purple
			128 ó 159	Green
			160 ó 191	Red
			192 ó 223	Light blue
			224 ó 255	Orange
	3	Strobe	000 ó 003	No function
			004 ó 007	Open
			008 ó 215	Strobe, slow to fast
			216 ó 255	Open

## RETURNS

To return a product or request support:

- In the U.S., contact CHAUVET® World Headquarters (see below).
- In the UK or Ireland, contact CHAUVET® Europe Ltd. (see below).
- In Mexico, contact CHAUVET® Mexico (see below).
- In any other country, DO NOT contact CHAUVET®. Contact the distributor of record. See [www.chauvetlighting.com](http://www.chauvetlighting.com) for a list of distributors.



**If you live outside the U.S., United Kingdom, Ireland, or Mexico, contact your distributor of record and follow their instructions on how to return CHAUVET® products to them. Visit our website for contact details.**

### U.S., UK, Ireland, and Mexico

Call the corresponding CHAUVET® Technical Support office and request a Return Merchandise Authorization (RMA) number before shipping the product. Be prepared to provide the model number, serial number, and a brief description of the reason for the return. You must send the merchandise prepaid, in its original box, and with its original packing and accessories. CHAUVET® will not issue call tags.

Clearly label the package with the RMA number. CHAUVET® will refuse any product returned without an RMA number.



**Write the RMA number on a properly affixed label. DO NOT write the RMA number directly on the box.**

Before sending the product, clearly write the following information on a piece of paper and place it inside the box:

Your name                                      Your address                                      Your phone number

RMA number                                      A brief description of the problem

Be sure to pack the product properly. FedEx packing or double-boxing are recommended.



**CHAUVET® reserves the right to use its own discretion to repair or replace returned product(s). CHAUVET® is not responsible for shipping damage of returned items.**

## CONTACT Us

### WORLD HEADQUARTERS - CHAUVET®

#### General Information

Address: 5200 NW 108<sup>th</sup> Avenue  
Sunrise, FL 33351  
Voice: (954) 577-4455  
Fax: (954) 929-5560  
Toll free: (800) 762-1084

#### Technical Support

Voice: **(954) 577-4455 (Press 4)**  
Fax: (954) 756-8015  
Email: [tech@chauvetlighting.com](mailto:tech@chauvetlighting.com)

#### World Wide Web

[www.chauvetlighting.com](http://www.chauvetlighting.com)

### UNITED KINGDOM AND IRELAND - CHAUVET® Europe Ltd.

#### General Information

Address: Unit 1C  
Brookhill Road Industrial  
Estate  
Pinxton, Nottingham, UK  
NG16 6NT  
Voice: +44 (0)1773 511115  
Fax: +44 (0)1773 511110

#### Technical Support

Email: [uktech@chauvetlighting.com](mailto:uktech@chauvetlighting.com)

#### World Wide Web

[www.chauvetlighting.co.uk](http://www.chauvetlighting.co.uk)

### MEXICO - CHAUVET® Mexico

#### General Information

Address: Av. Santa Ana 30  
Parque Industrial Lerma  
Lerma, Mexico C.P. 52000  
Voice: +52 (728) 285-5000

#### Technical Support

Email: [servicio@chauvet.com.mx](mailto:servicio@chauvet.com.mx)

#### World Wide Web

[www.chauvet.com.mx](http://www.chauvet.com.mx)

Outside the U.S., United Kingdom, Ireland, or Mexico, contact the dealer of record and follow their instructions to request support or to return a product. Visit the CHAUVET® website for contact information.