

TECHNICAL DATA

RoomMatch® Utility RMU206

small-format under-balcony fill loudspeaker



Product Overview

The RoomMatch Utility RMU206 small-format under-balcony fill loudspeaker features a unique angled baffle enclosure design to minimize the projected height for typical under-balcony and low-ceiling zone-fill applications. The design also features a single Bose® EMB2 compression driver to provide mid/high frequency voicing similar to that of RoomMatch full-range array modules and all RoomMatch Utility models. Two 6.5-inch woofers provide vocal-range output and a rotatable high-frequency waveguide increases mounting flexibility.

Key Features

- **Award-winning RoomMatch sound** – now in smaller, 2-way, point-source designs for high-level foreground music, under-balcony, and zone-fill applications
- **Bose EMB2 compression driver** – for lower distortion and improved vocal clarity compared to conventional foreground/fill models; also provides consistent mid/high sonic character to that of RoomMatch full-range and other RoomMatch Utility models
- **Minimal height for under-balcony or low-ceiling mounting** – unique enclosure baffle design provides minimum projected height for underbalcony or low-ceiling mounted applications
- **120° x 60° constant-directivity high-frequency horn** – gives wide, even coverage and may be rotated in enclosure. Can reduce the number of speakers required for under-balcony applications
- **2 x Bose LF6 6.5-inch woofers** – with extended-excursion voice coils extend response to 80 Hz for lowest vocal range

Technical Specifications

SINGLE MODULE PERFORMANCE				
Frequency Response (+ / -3 dB) ⁽¹⁾	90 - 16,000 Hz			
Frequency Range (-10 dB) ⁽¹⁾	80 - 18,000 Hz			
Recommended High-Pass Protection Filter	80 Hz with minimum 12-dB / octave filter			
Nominal Coverage Pattern	120° H x 60° V (rotatable high-frequency horn)			
Crossover Type	Passive; separate bandpass filters per transducer (300 Hz and 1.5 kHz)			
	Bose extended-lifecycle test ⁽⁴⁾		AES transducer test ⁽⁵⁾	
Power Handling, long-term continuous	250 W		300 W	
Power Handling, peak	1000 W		1200 W	
	Free field	Wall/Ceiling	Free field	Wall/Ceiling
Sensitivity (SPL/ 1W @ 1 m) ⁽²⁾	90 dB	92 dB	90 dB	92 dB
Calculated Maximum SPL @ 1 m ⁽³⁾	114 dB	116 dB	115 dB	117 dB
Calculated Maximum SPL @ 1 m, peak	120 dB	122 dB	121 dB	123 dB

TRANSDUCERS	
Low Frequency	2 x Bose LF6 high-excursion 6.5-inch woofers (1.5-inch voice coil)
High Frequency	1 x Bose EMB2 extended-midband high-frequency compression driver (2-inch voice coil)
Nominal Impedance	8 ohms

PHYSICAL	
Enclosure Material	13 mm Birch plywood
Finish	Two-part spray polyurethane coating, black or white
Grill	18-gauge (1.2 mm) perforated steel, powder-coated finish, black or white
Environmental	Indoor use only
Connectors	2 x Neutrik® NL4 and 1 x barrier strip, wired parallel
Suspension / Mounting	2 x M8 threaded inserts (1 each side) for U-bracket; 4 x M8 threaded inserts on rear surface (127 x 70 mm, 4-bolt pattern)
Dimensions (H x W x D)	191 x 552 x 241 mm (7.5" x 21.8" x 9.5")
Net Weight	11.3 kg (25 lbs) / 13.2 kg (29 lbs) with U-bracket
Shipping Weight	15.0 kg (33 lbs)

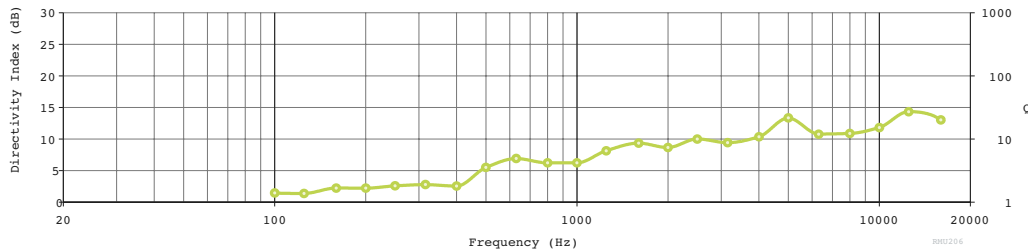
RoomMatch® Utility RMU206

small-format under-balcony fill loudspeaker

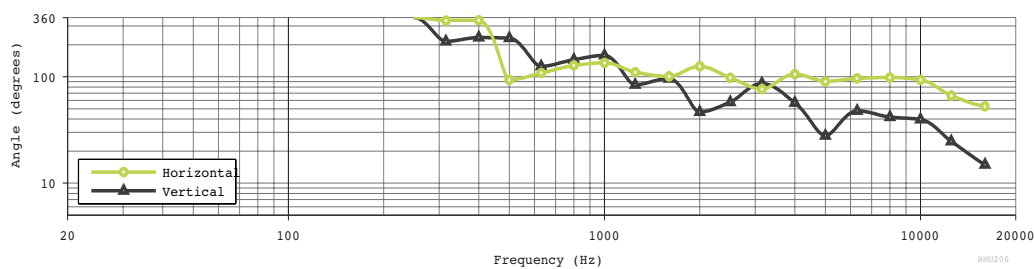


PROFESSIONAL

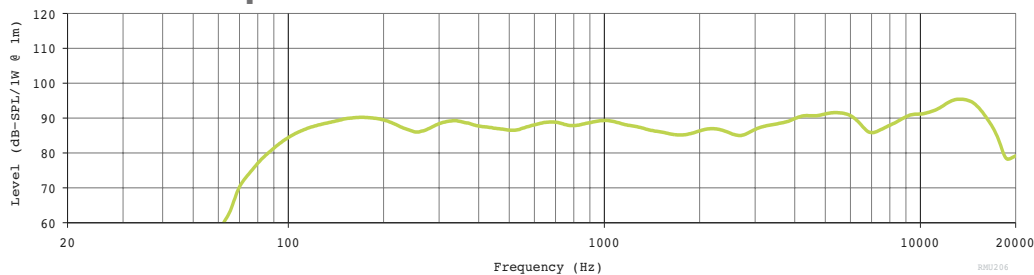
Directivity Index and Q



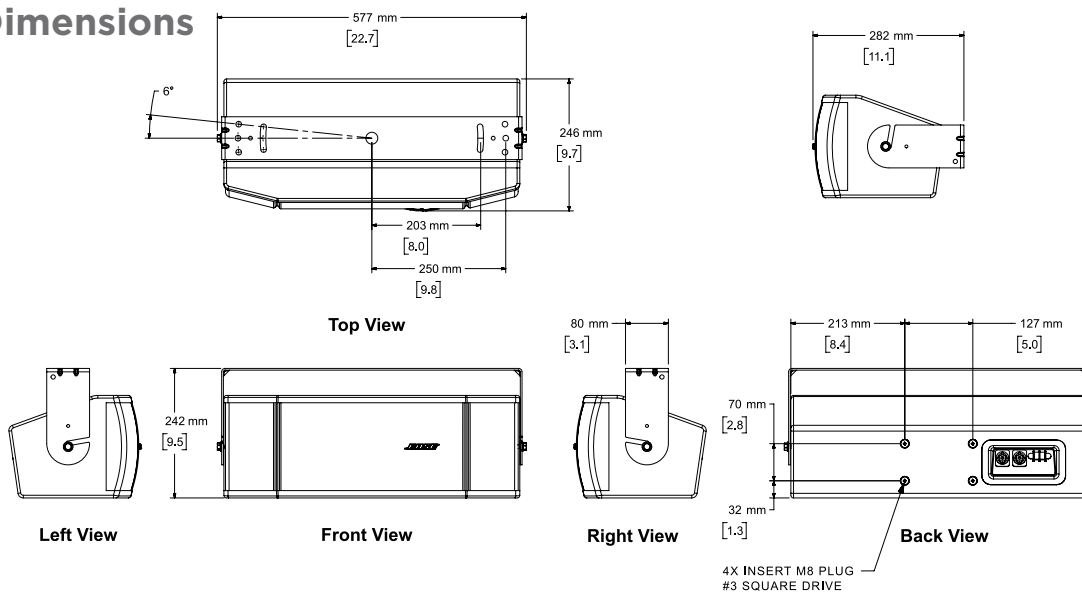
Beamwidth



On-Axis Response



Dimensions



Footnotes
 (1) Frequency response and range measured on-axis in an anechoic environment, with recommended bandpass and EQ.
 (2) Sensitivity measured with indicated boundary conditions, recommended bandpass and EQ, referenced to 1W/m.
 (3) Maximum SPL calculated from sensitivity and power handling specifications, exclusive of power compression.
 (4) Bose extended-lifecycle test using pink noise filtered to IEC268-5, 6-dB crest factor, 500-hour, full-power duration.
 (5) AES standard component power handling test: pink noise 60-18000 Hz bandpass, 6-dB crest factor, 2-hour duration.