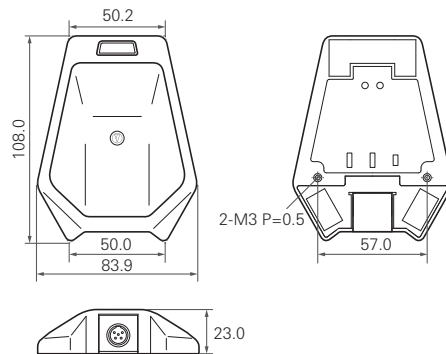




# U891RCb

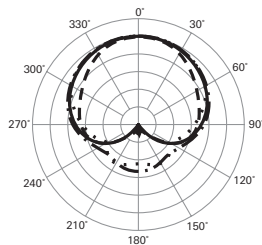
# Specifications

## Dimensions



(Unit: mm)

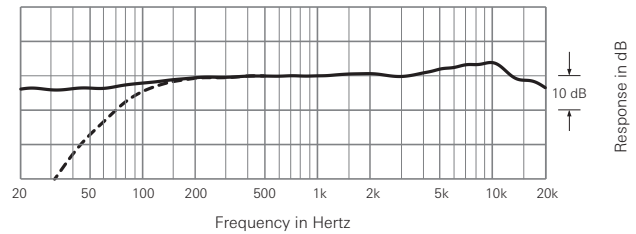
## Polar pattern



### LEGEND

200 Hz	— · — · — ·	SCALE IS 5 DECIBELS PER DIVISION
1 kHz	— — — — —	
5 kHz	· · · · ·	
8 kHz	- - - - -	

## Frequency response



### LEGEND

— — — — —	0°, 50 cm
· · · · ·	0°, 50 cm, Low cut

## Specifications

Element	Fixed-charge back plate, permanently polarized condenser
Polar pattern	Cardioid
Frequency response	20-20,000 Hz
Low cut	80 Hz, 18 dB/octave
Open circuit sensitivity	-34 dB (19.9 mV) (0dB=1V/Pa, 1kHz)
Impedance	50 ohms
Maximum input sound level	130 dB SPL (1 kHz at 1% THD)
Noise	26 dB SPL (A-weighted)
Dynamic range	104 dB (1 kHz at Max SPL)
Signal-to-noise ratio	68 dB (1 kHz at 1 Pa, A-weighted)
Phantom power requirements	11-52 V DC, 9.3 mA
Switches	Low cut: on/off; Switch function: touch on/off, momentary on/off; Control: local/remote/LED remote
Weight	253 g (8.9 oz)
Dimensions	23.0 mm (0.91") × 83.9 mm (3.3") × 108.0 mm (4.25") (H×W×D)
Output connector	TB5M-type (Microphone) Unterminated-type (Cable)
Optional interchangeable elements	UE-O omnidirectional (360°), UE-H hypercardioid (100°)
Included accessories	7.6 m (24.9') Microphone cable (TA5F, unterminated), Pouch

• 1 Pascal = 10 dynes/cm<sup>2</sup> = 10 microbars = 94 dB SPL

For product improvement, the product is subject to modification without notice.